

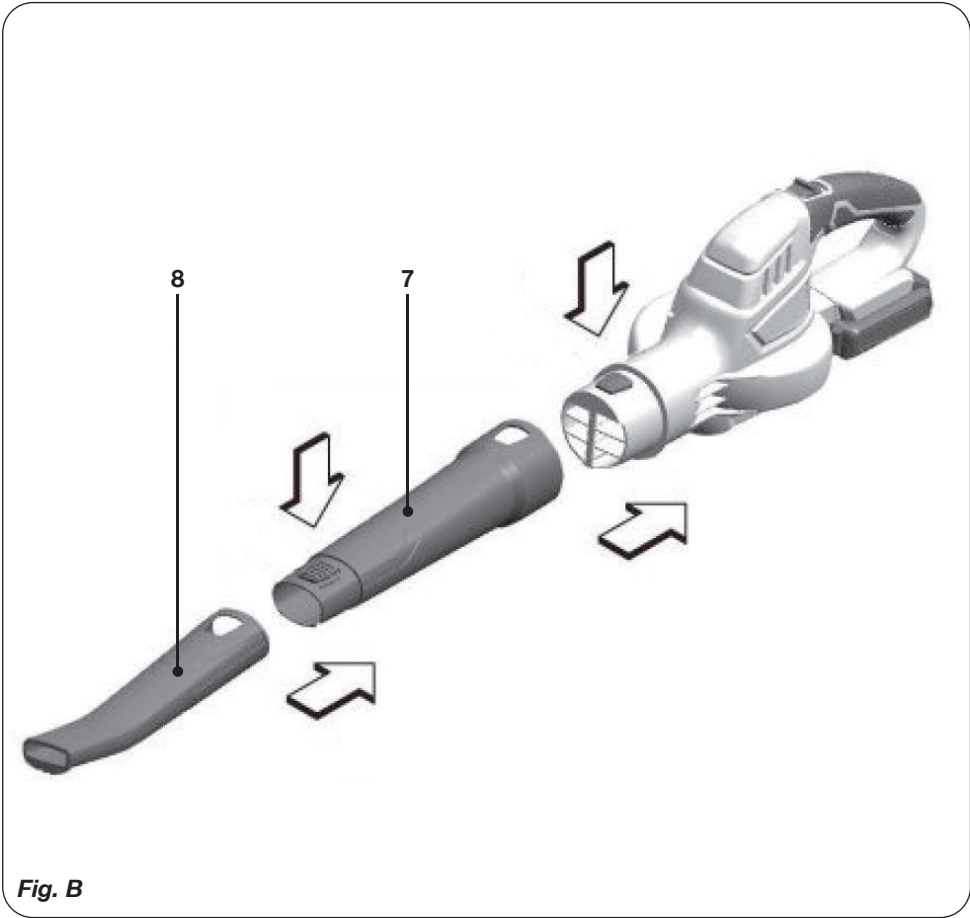
# FERM®

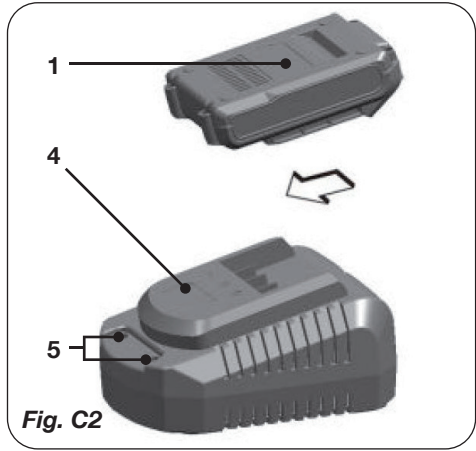
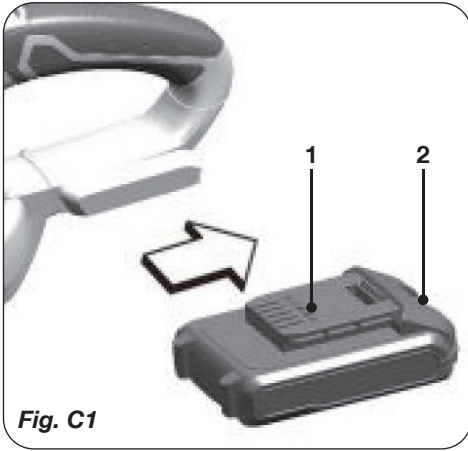
POWER SINCE 1965



## LBM1010

EN	Original instructions	04
NL	Vertaling van de oorspronkelijke gebruiksaanwijzing	08
CS	Překlad původního návodu k používání	13
SK	Prevod izvirnih navodil	18
LT	Originalios instrukcijos vertimas	23
LV	Instrukciju tulkojums no oriģinālvalodas	28
ET	Algupärase kasutusjuhendi tõlge	33





## CORDLESS LEAF BLOWER

### LBM1010

#### Thank you for buying this Ferm product.

By doing so you now have an excellent product, delivered by one of Europe's leading suppliers. All products delivered to you by Ferm are manufactured according to the highest standards of performance and safety. As part of our philosophy we also provide an excellent customer service, backed by our comprehensive warranty. We hope you will enjoy using this product for many years to come.



Read the enclosed safety warnings, the additional safety warnings and the instructions. Failure to follow the safety warnings and the instructions may result in electric shock, fire and/or serious injury. Save the safety warnings and the instructions for future reference.

#### Intended use

The leaf blowers are developed to remove leaves from the street, garden and lawn. A fan inside the leaf blower causes a flow of air, which can be used to blow leaves away.

## 1. SAFETY INSTRUCTIONS

The following symbols are used in the user manual or on the product:



Read the user manual.



Denotes risk of personal injury, loss of life or damage to the tool in case of non-observance of the instructions in this manual.



Risk of electric shock



Wear hearing protection.  
Wear eye protection.



Wear dusk mask



Danger - Keep hands away from moving parts



Beware of flying objects to bystanders. Keep bystanders a safe distance away from the machine.



Do not expose to rain



Max temperature 40°C



Do not throw the battery into fire



Do not throw the battery into water



Do not dispose of the product in unsuitable containers.



Separate collection for Li-ion battery.



Before cleaning and maintenance, always switch off the machine and remove the battery pack from the machine.



The product is in accordance with the applicable safety standards in the European directives.

#### Additional safety warnings for blower/vacs

- Keep the area you are working in clean and tidy. Do not use power tools in the rain or wet environments.
- We strongly recommend the use of an RCD (Residual Current Device) of not more than 30 mA, at the plug socket when using this appliance.
- Do not use power tools where there is a risk of fire or explosion - i.e. near flammable liquids or gases.
- Do not allow people especially children or pets into the area where you are working.
- Do not let children or other people touch power tools.

- Store in a dry place well out of reach of children.
  - Always use safety glasses. We also recommend the use of ear protectors.
  - Wear the right clothes (long trousers) - no loose fitting or jewellery and ensure garments cannot come into contact with moving parts.
  - Wear non-slip shoes. Do not wear sandals or open-toed shoes.
  - If you have long hair, tie it back safely to avoid tangling it in moving parts.
  - Before using any power tool, check first for damaged parts and if found do not use them before the part or parts have been replaced with new ones.
  - Do not use power tools when you are tired or have been drinking alcohol.
  - Do not overreach while working - you may lose your balance.
  - You must switch off your tool at the tool's on/off switch after use.
  - Only use this appliance for its intended purpose - blowing or sucking up leaves.
  - Do not point the blower at people or animals.
  - Do not blow debris in the direction of people or animals.
  - Operate the appliance only in daylight or in a good artificial light.
  - Do not place your hand inside the blower tube or bag until the blower has been switched off and the plug removed from the power supply.
  - Only use extension leads that are suitable for outdoor use. The cord must be kept away from excessive heat, oil, solvents and sharp edges.
  - Periodically check that all bolts and screws are tight.
  - The operator or user is responsible for accidents or hazards occurring to other people or their property.
  - To prevent dust irritation we recommend the wearing of a face mask.
  - Always direct the cable to the rear away from the appliance.
  - Do not carry the appliance by the cable.
  - Disconnect the appliance from the mains supply
  - Before clearing a blockage.
  - Before checking, cleaning or maintaining the appliance.
  - If the appliance starts to vibrate abnormally.
  - Whenever you leave the machine.
  - Always be sure of your footing on slopes.
  - Walk, never run.
  - Keep all cooling air inlets clear of debris or obstructions.
  - Keep all nuts, bolts and screws tight to be sure the appliance is in safe working condition.
  - Check the debris collector frequently for wear or deterioration.
  - Replace worn or damaged parts.
  - Use only genuine replacement parts and accessories.
- Immediately switch off the machine when:**
- Excessive sparking of the carbon brushes and clutter in the collector.
  - Interruption of the mains plug, mains lead or mains lead damage.
  - Defect switch
  - Smoke or stench of scorched isolation
- Additional safety instruction cordless leaf blower:**
- Do not charge leaf blower in rain, or in wet locations.
  - Do not use battery-operated leaf blower in rain.
  - Remove or disconnect battery before servicing, cleaning, or removing material from the leaf blower.
  - Do not dispose of the battery(ies) in a fire. The cell may explode. Check with local codes for possible special disposal instructions.
- Battery tool use and care:**
- Recharge only with the charger specified by the manufacturer.** *A charger that is suitable for one type of battery pack may create a risk of fire when used with another battery pack.*
  - Use power tools only with specifically designated battery packs.** *Use of any other battery packs may create a risk of injury and fire.*
  - When battery pack is not in use, keep it away from other metal objects, like paper clips, coins, keys, nails, screws or other small metal objects, that can make a connection from one terminal to another.** *Shorting the battery terminals together may cause burns or a fire.*
  - Under abusive conditions, liquid may be ejected from the battery; avoid contact. If contact accidentally occurs, flush with water. If liquid contacts eyes, additionally seek medical help.** *Liquid ejected from the battery may cause irritation or burns.*

**Service:**

- a) **Have your power tool serviced by a qualified repair person using only identical replacement parts.** This will ensure that the safety of the power tool is maintained.

**For the charger:****Intended use**

Charge only CDA1106 20V max. 2.0 Ah Li-ion type rechargeable battery packs. Other types of batteries may burst causing personal injury and damage.

- a) **The appliance is not to be used by persons (including children) with reduced physical, sensory or mental capabilities, or lack of experience and knowledge, unless they have been given supervision or instruction**
- b) **Children being supervised not to play with the appliance**
- c) Do not recharging non-rechargeable batteries!
- d) During charging, batteries must be placed in the well ventilated area!

**Residual risks:**

Even when the power tool is used as prescribed it is not possible to eliminate all residual risk factors. The following hazards may arise in connection with the power tool's construction and design:

- a) Health defects resulting from vibration emission if the power tool is being used over longer period of time or not adequately managed and properly maintained.
- b) Injuries and damage to property to due to broken accessories that are suddenly dashed.



**Warning!** *This power tool produces an electromagnetic field during operation. This field may under some circumstances interfere with active or passive medical implants. To reduce the risk of serious or fatal injury, we recommend persons with medical implants to consult their physician and the medical implant manufacturer before operating this power tool.*

**Electrical safety**

When using electric machines always observe the safety regulations applicable in your country to reduce the risk of fire, electric shock and personal injury. Read the following safety instructions and also the enclosed safety instructions.



*Always check that the voltage of the power supply corresponds to the voltage on the rating plate label.*



*Class II machine - Double insulation - You don't need any earthed plug.*

## 2. MACHINE INFORMATION

**Technical specifications**

Battery	CDA1106
Charger	CDA1107
Input of charger	220-240V~ 50/60Hz 1.2A
Output of charger	21V DC, 2.2A
Battery charging time	60 min
No load speed	13.000 rpm
Max. blower velocity	180 km/h
Max air volume	5 m <sup>3</sup> /min
Weight (incl. battery)	1.9 kg
Sound pressure level LPA	76.3 dB(A) K=3 dB(A)
Sound power level LWA	84.7 dB(A) K=3 dB(A)
Vibration value	1.370 m/s <sup>2</sup> K=1.5 m/s <sup>2</sup>

**Vibration level**

The vibration emission level stated in this instruction manual has been measured in accordance with a standardized test given in EN60745; it may be used to compare one tool with another and as a preliminary assessment of exposure to vibration when using the tool for the applications mentioned.

- Using the tool for different applications, or with different or poorly maintained accessories, may significantly increase the exposure level.
- The times when the tool is switched off or when it is running but not actually doing the job, may significantly reduce the exposure level.

Protect yourself against the effects of vibration by maintaining the tool and its accessories, keeping your hands warm, and organizing your work patterns.

**Description**

The numbers in the text refer to the diagrams on page 2

**Fig. A, B, C**

1. Battery
2. Battery unlock button
3. Battery charge indication
4. Charger
5. Charger LED indicators

6. On/off switch
7. Upper tube
8. Lower tube

### 3. OPERATING



*The machine must be charged before first use.*

#### Removing the battery from the machine

##### Fig. C1

- Hold the machine firmly with one hand.
- Push down the battery unlock button (2) located on the rear side of the battery (1) with the other hand.
- Keep pushing the unlock button (2) down and slide the battery backwards out of the machine, like shown in Fig. C1.

#### Inserting the battery into the machine

##### Fig. C1



*Ensure that the exterior of the battery is clean and dry before connecting to the charger or machine.*

- Hold the machine firmly with one hand.
- Insert the battery (1) into the base of the machine.
- Push the battery further forward until it clicks into place.

#### Checking the battery charging status

##### Fig. C3



*The included battery is delivered in partly charged condition.*

- To check the battery charge status, push the button (3) on battery (1) shortly.
- The battery has 3 lights indicating the charge level, the more lights that burn, the more charge the battery has left.

#### Charging the battery

##### Fig. C2

- Take the battery (1) out of the machine
- Turn the battery (1) to upside down position and slide it onto the charger (4) as shown in Fig. C2.

- Push the battery (1) until it is fully pushed into the slot.
- Plug the charger (4) in an electrical outlet and wait a while. The LED indicator (5) on the charger (4) will lighten up and show the charging status.

#### Charging indication light

##### Fig. C2

The charger has a charging indication light (5) which indicates the status of the charging process:

##### LED color Status

Red	Battery charging in progress
Green	Battery charging finished, battery fully charged

- Fully charging the battery may take up to 1 hour.
- After the battery is fully charged remove the charger plug from the outlet and remove the battery from the charger.
- The battery can be stored or directly installed on the machine.



*Lithium-Ion cells can be stored for a long period without losing much of their charge. When the machine is not being used over a longer period of time it is best to store the battery in charged condition.*

#### Assembling the tubes

##### Fig. B



*Always remove the battery before mounting an accessory.*

- Slide the upper tube (7) onto the motor housing until it clicks into place.
- Slide the lower tube (8) onto the upper tube (7) until it clicks into place.

#### Switching the machine on and off

##### Fig. A

The on/off switch (5) is used for activating the machine. When you are ready and well balanced, press the on/off switch (5) and it will start. Press again to turn it off.

## 4. MAINTENANCE



*Before cleaning and maintenance, always switch off the machine and remove the battery pack from the machine.*

Clean the machine casings regularly with a soft cloth, preferably after each use. Make sure that the ventilation openings are free of dust and dirt. Remove very persistent dirt using a soft cloth moistened with soapsuds. Do not use any solvents such as gasoline, alcohol, ammonia, etc. Chemicals such as these will damage the synthetic components.

## ENVIRONMENT



*Faulty and/or discarded electrical or electronic apparatus have to be collected at the appropriate recycling locations.*

### Only for EC countries

Do not dispose of power tools into domestic waste. According to the European Guideline 2012/19/EU for Waste Electrical and Electronic Equipment and its implementation into national right, power tools that are no longer usable must be collected separately and disposed of in an environmentally friendly way.

## WARRANTY

The warranty conditions can be found on the separately enclosed warranty card.

**The product and the user manual are subject to change. Specifications can be changed without further notice.**

## BLADBLAZER 20V LBM1010

**Wij danken u voor uw aankoop van dit Ferm product.** U heeft nu een uitstekend product, dat wordt geleverd door een van de grootste leveranciers van Europa. Alle producten die Ferm levert, zijn vervaardigd volgens de hoogste normen voor prestaties en veiligheid. Het is ook onze filosofie een uitstekende klantenservice te bieden, waar onze uitgebreide garantie achter staat. Wij hopen dat u dit product gedurende vele jaren met genoegen zult gebruiken.



*Lees deze gebruiksaanwijzing zorgvuldig door, voor u de machine in gebruik neemt. Maak u vertrouwd met de werking en de bediening. Onderhoud de machine volgens de aanwijzingen, zodat zij altijd naar behoren blijft functioneren. Deze gebruiksaanwijzing en de bijbehorende documentatie dienen in de buurt van de machine bewaard te worden.*

### Bedoeld gebruik

De bladblazers zijn ontwikkeld om blad te verwijderen van straten en gazons en uit tuinen. Een ventilator in de bladblazer zorgt voor een luchtstroom die kan worden gebruikt om bladeren weg te blazen.

## 1. VEILIGHEIDSVOORSCHRIFTEN

De volgende symbolen worden gebruikt in de gebruikershandleiding of op het product:



*Lees de gebruikershandleiding.*



*Gevaar voor lichamelijk letsel, overlijden of schade aan de machine wanneer de instructies in deze handleiding niet worden opgevolgd.*



*Gevaar voor elektrische schokken.*



*Draag gehoorbescherming.  
Draag gezichtsbescherming.*



*Draag een stofmasker.*





*Gevaar – Houd uw handen weg bij bewegende onderdelen.*



*Let voor omstanders op rondvliegende voorwerpen. Houd omstanders op veilige afstand van de machine.*



*Stel de machine niet bloot aan regen.*



Max 40°C

*Max. temperatuur 40°C.*



*Accu niet verbranden.*



*Accu niet in het water gooien.*



*Werp het product niet weg in ongeschikte containers.*



*Aparte inzameling van Li-ion-accu's.*



*Schakel de machine altijd uit en verwijder de accu uit de machine voordat u gaat schoonmaken of onderhoud plegen.*



*Het product is in overeenstemming met de van toepassing zijnde veiligheidsnormen in de Europese richtlijnen.*

### **Extra veiligheidsvoorschriften voor bladblazers**

- Zorg dat het werkgebied altijd goed opgeruimd is.
- Gebruik elektrische apparaten nooit in vochtige of natte omgevingen.
- Wij raden u ten zeerste aan voor deze machine bij de wandcontactdoos een reststroombeveiliging (RCD) te gebruiken van niet meer dan 30 mA.
- Gebruik een elektrisch apparaat nooit op een plek waar het brand of een explosie kan veroorzaken, bijvoorbeeld in de buurt van ontvlambare vloeistoffen of gassen.
- Houd anderen op afstand, met name kinderen en dieren.
- Zorg er te allen tijde voor dat kinderen of anderen niet aan het elektrische apparaat zitten.
- Berg elektrische apparaten altijd op een droge, hooggelegen of afgesloten plek op, buiten het bereik van kinderen.
- Draag altijd een veiligheidsbril. Wij raden u ook aan om oorbescherming te dragen.
- Draag geschikte kleding (een lange broek) zorg dat u geen loshangende kleding of sieraden draagt en dat er geen kledingstukken verstrikt kunnen raken in bewegende delen.
- Draag stevige antislipschoenen. Draag geen sandalen of schoenen met een open voorkant.
- Wanneer u lang haar hebt, bind het dan op, zodat het niet verstrikt kan raken in bewegende delen.
- Voordat u een elektrisch apparaat gebruikt, dient u altijd eerst te controleren of er beschadigde onderdelen zijn; zo ja, gebruik het apparaat dan niet voordat deze zijn vervangen door nieuwe onderdelen.
- Gebruik geen elektrische apparaten wanneer u moe bent of alcohol hebt gedronken.
- Zorg te allen tijde dat u stevig staat en uw evenwicht niet verliest.
- Na gebruik dient u het apparaat uit te schakelen met de aan/uit-schakelaar.
- Gebruik dit apparaat alleen voor het werk waarvoor hij bedoeld is: het wegblazen of opzuigen van blad.
- Richt de blazer niet op mensen of dieren.
- Blaas geen afval in de richting van mensen of dieren.
- Gebruik het apparaat alleen bij daglicht of bij een andere goede verlichting.
- Reik niet met uw hand in de blazerbuis of opvangzak tot de blazer is uitgeschakeld en de stekker uit het stopcontact is getrokken.
- Gebruik alleen verlengkabels die zijn goedgekeurd voor buitengebruik. Houd de kabel uit de buurt van overmatige hitte, olie, oplosmiddelen en scherpe randen.
- Controleer regelmatig of alle bouten en schroeven nog goed vast zitten.
- De gebruiker is verantwoordelijk voor ongelukken of schades die tijdens het gebruik optreden bij andere mensen of eigendommen.
- Om stofirritatie te voorkomen, raden wij u aan een gezichtsmasker te dragen.
- Zorg er altijd voor dat de stroomkabel aan de achterzijde van het apparaat ligt.

- Draag het apparaat niet aan de stroomkabel.
- Trek de stekker uit het stopcontact:
- Voordat u een verstopping verwijdert.
- Voordat u het apparaat controleert, schoonmaakt of onderhoudt.
- Wanneer het apparaat overmatig begint te trillen.
- Wanneer u de machine onbeheerd achterlaat.
- Zorg op hellende vlakken altijd dat uzelf en het apparaat stevig staan.
- Loop, ren niet.
- Zorg dat alle ventilatiesleuven vrij blijven van afval en andere materialen.
- Zorg ervoor dat alle moeren, bouten en schroeven altijd goed aangedraaid zijn; dit zorgt ervoor dat het apparaat optimaal blijft functioneren.
- Controleer de afvalopvanginstallatie regelmatig op slijtage en beschadiging.
- Vervang versleten en beschadigde onderdelen.
- Gebruik alleen originele vervangingsonderdelen en accessoires.

#### Het apparaat onmiddellijk uitzetten bij:

- Overmatig vonken van de koolborstels en ringvuur in de collector.
- Storing in de netstekker, netsnoer of snoerbeschadiging.
- Defecte schakelaar.
- Rook of stank van verschroeide isolatie.

#### Aanvullende veiligheidsinstructie voor draadloze bladblazers:

- Laad de bladblazer niet op in de regen of op natte plaatsen
- Gebruik de draadloze bladblazer niet in de regen.
- Verwijder of ontkoppel de batterij voordat u onderhoud aan de bladblazer uitvoert, reinigt of verwijdert.
- Gooi de batterij(en) niet in vuur. De cel kan exploderen. Neem contact op met de gemeente/ plaatselijke instantie voor mogelijke verwijderingsinstructies.

#### Accu machines gebruik en onderhoud:

- a) **Uitsluitend herladen met de door de fabrikant opgegeven acculader.** *Een acculader die voor één type accupack geschikt is kan brandgevaar opleveren wanneer deze wordt gebruikt met een ander accupack.*

- b) **Gebruik uitsluitend elektrische machines met speciaal daarvoor bestemde accupacks.** *Het gebruik van andere accupacks kan gevaar voor letsel en brand opleveren.*
- c) **Houd, wanneer u het accupack niet gebruikt, dit uit de buurt van andere metalen voorwerpen, zoals paperclips, munstukken, sleutels, spijkers, schroeven of andere kleine metalen voorwerpen, die voor verbinding kunnen zorgen tussen de twee accupolen.** *Kortsluiting tussen de accupolen kan brandplekken of brand veroorzaken.*
- d) **Bij onjuist gebruik kan er vloeistof uit de accu komen; vermijd het contact hiermee. Spoel de plek met water in het geval dat u toch per ongeluk ermee in aanraking komt. Roep tevens medische hulp in wanneer de vloeistof in contact komt met uw ogen.** *Vloeistof uit de accu kan irritatie of brandwonden veroorzaken.*

#### Service:

- a) **Laat de elektrische machine onderhouden door een erkend reparateur die uitsluitend gebruik maakt van identieke vervangingsonderdelen.** *Dit zorgt ervoor dat de veiligheid van de elektrische machine intact blijft.*

#### Ten aanzien van de acculader: Bedoeld gebruik

Laad uitsluitend herlaadbare accupacks CDA1106 20V met max. 2.0Ah. Andere typen accu's kunnen exploderen, wat lichamelijk letsel en schade kan veroorzaken.

- a) **Het apparaat dient niet te worden gebruikt door personen (inclusief kinderen) met verminderde fysieke, zintuiglijke of mentale functies of personen zonder enige ervaring en kennis, tenzij zij onder toezicht staan of zijn geïnstrueerd.**
- b) **Laat kinderen onder toezicht niet met het apparaat spelen**
- c) Laad niet-herlaadbare accu's niet opnieuw op!
- d) Plaats de accu's tijdens het opladen in een goed geventileerde ruimte!

#### Overblijvende risico's

Zelfs wanneer de elektrische machine op de voorschreven wijze wordt gebruikt, is het niet mogelijk alle overblijvende risicofactoren weg te

nemen. De volgende risico's kunnen optreden in verband met de constructie en het ontwerp van de elektrische machine:

- Gezondheidsklachten die het gevolg zijn van de trilling emissie bij langdurig of onjuist gebruik of onjuist onderhoud van de powertool.
- Letsel en schade aan eigendommen vanwege kapotte hulpstukken die opeens losschieten.



**Waarschuwing!** Deze powertool produceert een elektromagnetisch veld tijdens zijn werking. Dit veld kan onder bepaalde omstandigheden storend werken op actieve of passieve medische implantaten. Ter verkleining van het risico van ernstig of dodelijk letsel raden wij personen met medische implantaten aan om hun arts of de fabrikant van het medisch implantaat te raadplegen voordat zij deze elektrische machine gaan gebruiken.

### Elektrische veiligheid

Neem bij het gebruik van elektrische machines altijd de plaatselijk geldende veiligheidsvoorschriften in acht in verband met brandgevaar, gevaar voor elektrische schokken en lichamelijk letsel. Lees behalve onderstaande instructies ook de veiligheidsvoorschriften in het apart bijgevoegde veiligheidskatern door.



Controleer altijd of uw netspanning overeenkomt met de waarde op het typeplaatje.



Klasse II apparaat - Dubbel geïsoleerd - een geaarde stekker is niet noodzakelijk.

## 2. MACHINE INFORMATIE

### Technische specificaties

Accu	CDA1106
Acculader	CDA1107
Ingang van acculader	220-240V~ 50/60Hz 1,2A
Uitgang van acculader	21V DC, 2,2A
Laadtijd accu	60 min
Onbelast toerental	13000 rpm
Max. blaassnelheid	180 km/h
Max luchtvolume	5 m <sup>3</sup> /min
Gewicht (incl. accu)	1,9 kg

Geluidsdruk niveau LPA	76,3 dB(A) K=3 dB(A)
Geluidsvermogensniveau LWA	84,7 dB(A) K=3 dB(A)
Vibratieniveau	1370 m/s <sup>2</sup> K=1,5 m/s <sup>2</sup>

### Trillingsniveau

Het trillingsemisssieniveau, dat in deze gebruiksaanwijzing wordt vermeld, is gemeten in overeenstemming met een gestandaardiseerde test volgens EN 60745; deze mag worden gebruikt om twee machines met elkaar te vergelijken en als voorlopige beoordeling van de blootstelling aan trilling bij gebruik van de machine voor de vermelde toepassingen.

- gebruik van de machine voor andere toepassingen, of met andere of slecht onderhouden accessoires, kan het blootstellingsniveau aanzienlijk verhogen.
- wanneer de machine is uitgeschakeld of wanneer deze loopt maar geen werk verricht, kan dit het blootstellingsniveau aanzienlijk reduceren.

Bescherm uzelf tegen de gevolgen van trilling door de machine en de accessoires te onderhouden, uw handen warm te houden en uw werkwijze te organiseren.

### Beschrijving

De nummers in de nu volgende tekst verwijzen naar de afbeeldingen op pagina 2.

### Afb. A, B, C

- Accu
- Ontgrendelknop accu
- Accu oplaad indicatie
- Accuoplader
- Led-controlelampje acculader
- Schakelaar Aan / Uit
- Bovenste buis
- Onderste buis

## 3. BEDIENING



De accu moet zijn opgeladen voordat deze voor het eerst wordt gebruikt.

### De accu van de machine verwijderen

#### Afb. C1

- Houd de machine stevig vast met één hand.
- Druk met de andere hand de ontgrendelknop voor de accu (2) aan de achterzijde van de accu (1) naar beneden.

- Blijf de ontgrendelingsknop (2) naar beneden drukken en schuif de accu achteruit de machine, zoals weergegeven in afb. C1.

### De accu in de machine plaatsen

#### Afb. C1



*Zorg ervoor dat het oppervlak van de accu schoon en droog is voordat u deze op de acculader of de machine aansluit.*

- Houd de machine stevig vast met één hand
- Plaats de accu (1) in de onderkant van de Machine.
- Duw de accu verder naar voren tot deze vastklikt.

### De laadstatus van de batterij controleren

#### Fig. C3



*De meegeleverde batterij wordt gedeeltelijk opgeladen geleverd.*

- Om de laadstatus van de batterij te controleren, drukt u kort op de knop (3) op batterij (1).
- De batterij heeft 3 lampjes die het oplaadniveau aangeven, hoe meer lichten branden, hoe meer lading de batterij nog heeft.

### De accu laden

#### Afb. C2

- Haal de accu (1) uit de machine.
- Draai de accu (1) in de omgekeerde positie en schuif hem op de acculader (4) zoals getoond in Afb. C2.
- Duw de accu (1) totdat deze volledig in de gleuf is geduwd.
- Sluit de acculader (4) aan op een stopcontact en wacht even. Het Led-controrelampje (5) op de acculader (4) gaat branden en toont de laadstatus.

### Oplaadindicatielampje

#### Afb. C2

De acculader heeft een indicatielampje (5) die de status van laadproces weergeeft:

#### LED kleur Status

Rood	Bezig met opladen van accu
Green	opladen van de accu is beëindigd, de accu is volledig opgeladen.

- Het kan tot 1 uur duren voordat de accu volledig is opgeladen.
- verwijder, als de accu volledig is opgeladen, de stekker van de acculader uit het stopcontact en haal de accu uit de acculader.
- De accu kan worden opgeborgen of direct op de machine worden geïnstalleerd.



*Lithium-ion cellen kunnen lange tijd worden opgeslagen zonder veel van hun lading te verliezen. Wanneer de machine gedurende langere tijd niet wordt gebruikt, kunt u het beste de accu in opgeladen toestand opslaan.*

### Monteer de buizen

#### Afb. B



*Verwijder altijd de accu voordat u een accessoire monteert.*

- Schuif de bovenste buis (7) op het motorbehuizing totdat deze op zijn plaats klikt.
- Schuif de onderste buis (8) op de bovenste buis (7) totdat deze op zijn plaats klikt.

### De machine aan- en uitschakelen

#### Afb. A

De aan / uit-schakelaar (5) wordt gebruikt voor het activeren van de machine. Druk op de aan / uit-schakelaar (5) en de machine zal starten. Druk er nogmaals op om het uit te schakelen.

## 4. ONDERHOUD



*Schakel, voordat u met de reiniging en het onderhoud begint, altijd de machine uit en haal het accupack uit de machine.*

Reinig de machinebehuizing regelmatig met een zachte doek, bij voorkeur iedere keer na gebruik. Zorg dat de ventilatiesleuven vrij van stof en vuil zijn. Gebruik bij hardnekkig vuil een zachte doek bevochtigd met zeepwater. Gebruik geen oplosmiddelen als benzine, alcohol, ammonia, etc. Dergelijke stoffen beschadigen de kunststof onderdelen.

## MILIEU



*Defecte en/of afgedankte elektrische of elektronische gereedschappen dienen ter verwerking te worden aangeboden aan een daarvoor verantwoordelijke instantie.*

### Uitsluitend voor EG-landen

Werp elektrisch gereedschap niet weg bij het huisvuil. Conform de Europese Richtlijn 2012/19/EG voor Afgedankte Elektrische en Elektronische Apparatuur en de implementatie ervan in nationaal recht moet niet langer te gebruiken elektrisch gereedschap gescheiden worden verzameld en op een milieuvriendelijke wijze worden verwerkt.

## GARANTIE

Lees voor de garantievooraarden de apart bijgevoegde garantietaart.

**Het product en de gebruikershandleiding zijn onderhevig aan wijzigingen. Specificaties kunnen zonder opgaaf van redenen worden gewijzigd.**

## FUKAR NA LISTÍ NAPÁJENÝ BATERIÍ LBM1010

**Děkujeme vám za zakoupení tohoto výrobku značky Ferm.** Nyní máte k dispozici vynikající výrobek dodávaný jedním z hlavních evropských dodavatelů. Všechny výrobky dodávané společností Ferm jsou vyráběny podle požadavků nejnáročnějších norem týkajících se výkonu a bezpečnosti. Jako součást naší firemní filozofie poskytujeme také vynikající zákaznický servis, který je podporován naší komplexní zárukou. Doufáme, že vám náš výrobek bude řádně sloužit mnoho let.



*Přečtěte si přiložené bezpečnostní výstrahy, dodatečné bezpečnostní výstrahy a bezpečnostní pokyny. Nebudete-li dodržovat tyto bezpečnostní výstrahy a pokyny, může dojít k úrazu elektrickým proudem, k vzniku požáru nebo k způsobení vážného zranění. Ušchovejte tyto bezpečnostní výstrahy a pokyny pro budoucí použití.*

### Určené použití

Tyto fukary na listí jsou určeny k odstraňování listí z ulic, zahrad a trávníků. Ventilátor nacházející se uvnitř fukaru vytváří proud vzduchu, který může být používán pro odfuk spadaneho listí.

## 1. BEZPEČNOSTNÍ POKYNY

V této uživatelské příručce a na tomto výrobku jsou použity následující symboly:



*Přečtěte si uživatelskou příručku.*



*Upozorňuje na nebezpečí zranění osob, ztráty života nebo poškození nářadí, nebudou-li dodržovány pokyny uvedené v tomto návodu.*



*Riziko úrazu způsobeného elektrickým proudem.*



*Používejte ochranu sluchu. Používejte ochranu zraku.*



*Používejte masku proti prachu.*



*Nebezpečí – Udržujte ruce v dostatečné vzdálenosti od pohyblivých částí.*



*Dávejte pozor, aby odlétávající předměty neohrozily okolní osoby. Udržujte přihlížející v bezpečné vzdálenosti od stroje.*



*Nevystavujte tento výrobek dešti.*



Max 40 °C

*Maximální teplota 40 °C.*



*Nevhazujte baterii do ohně.*



*Nevhazujte baterii do vody.*



*Nevyhazujte tento výrobek do nevhodného kontejneru.*



*Tříděný odpad pro baterie Li-Ion.*



*Nářadí před čištěním a prováděním údržby vždy vypněte a vyjměte z něj baterii.*



*Tento výrobek je vyroben v souladu s platnými bezpečnostními normami, které jsou uvedeny ve směrnících EU.*

### **Doplňkové bezpečnostní výstrahy pro fukary/ vysavače**

- Udržujte pracovní prostor čistý a uklizený. Nepoužívejte elektrické nářadí v dešti nebo v mokřem prostředí.
- Při použití tohoto zařízení vám zásadně doporučujeme, abyste v zásuvce použili proudový chránič (RCD) s proudovou hodnotou nižší než 30 mA.
- Nepoužívejte elektrické nářadí na místech, kde hrozí riziko požáru nebo výbuchu – například v blízkosti hořlavých kapalin nebo plynů.
- Nedovolte ostatním, a to zejména dětem nebo domácím zvířatům, pohybovat se v prostoru, kde pracujete.
- Nedovolte dětem nebo jiným osobám dotýkat se elektrického nářadí.
- Uložte jej na suchém místě mimo dosah dětí.
- Vždy používejte bezpečnostní ochranné brýle. Doporučujeme také použití ochrany sluchu.
- Používejte správné oblečení (dlouhé kalhoty) – žádné volné doplňky nebo šperky a ujistěte se, zda se oděv nedostane do kontaktu s pohyblivými částmi.
- Noste neklouzavou obuv. Nenoste sandály nebo obuv s otevřenou špičkou.
- Máte-li dlouhé vlasy, svažte si je, abyste zabránili jejich zachycení do pohyblivých částí.
- Před použitím jakéhokoli elektrického nářadí proveďte nejdříve jeho kontrolu z hlediska poškozených dílů a pokud takové díly objevíte, nepoužívejte toto nářadí, dokud tyto díly nebudou vyměněny za nové.
- Nepoužívejte elektrické nářadí, jste-li unavení nebo pokud jste požíli alkohol.
- Při práci nepřeceňujte své síly – mohlo by dojít k ztrátě vaší rovnováhy.
- Po použití musíte toto nářadí vypnout pomocí spínače zapnuto/vypnuto.
- Používejte toto zařízení pouze k jeho určenému účelu – odfuk nebo vysávání listí.
- Nemiřte tímto fukarem na osoby nebo na zvířata.
- Neprováděje odfuk nečistot ve směru, kde se nachází osoby nebo zvířata.
- Pracujte pouze za denního světla nebo při kvalitním umělém osvětlení.
- Nevkládejte ruce do trubice fukaru nebo do sběrného vaku, dokud nebude tento fukar vypnutý a dokud nebude odpojena zástrčka jeho kabelu od zásuvky.
- Pracujte pouze s prodlužovacími kabely, které jsou určeny pro venkovní použití. Napájecí kabel nesmí přecházet přes nadměrně horké povrchy, mastné plochy, místa pokrytá rozpouštědly a ostré hrany.
- Pravidelně kontrolujte, zda jsou řádně utaženy matice, šrouby a vruty.
- Obsluha nebo uživatel odpovídá za nehody nebo rizika hrozící jiným osobám nebo jejich majetku.
- Doporučujeme vám používat masku proti prachu, abyste zabránili podráždění způsobenému rozvířeným prachem.
- Vždy vedte napájecí kabel tak, aby se nacházel za tímto zařízením.

- Nepřenášejte toto nářadí uchopením za kabel.
  - Odpojte nářadí od napájecího zdroje.
  - Před odstraněním zablokování.
  - Před kontrolou, čištěním nebo údržbou tohoto nářadí.
  - Začne-li toto nářadí abnormálně vibrovat.
  - Před každým opuštěním tohoto nářadí.
  - Na svahu vždy udržujte správný postoj.
  - Chodte, nikdy neběhejte.
  - Stále udržujte čisté a průchozí větrací otvory na tomto nářadí.
  - Udržujte všechny matice, šrouby a vruty řádně utaženy, abyste se ujistili, zda je toto nářadí v bezpečném provozním stavu.
  - Často kontrolujte sběrný vak z hlediska jeho opotřebování a poškození.
  - Opotřebované nebo poškozené díly vyměňte.
  - Používejte pouze originální náhradní díly a příslušenství.
- c) **Není-li baterie používána, uložte ji mimo dosah kovových předmětů, jako jsou kancelářské sponky, mince, klíče, hřebíky, šroubky nebo jiné malé kovové předměty, které mohou způsobit zkrat kontaktů baterie. Zkratování kontaktů baterie může vést k způsobení popálenin nebo požáru.**
- d) **V nevhodných podmínkách může z baterie unikat kapalina. Vyvarujte se kontaktu s touto kapalinou. V případě kontaktu omyjte zasazené místo vodou. Dostane-li se kapalina do očí, ihned si je vypláchněte vodou a vyhledejte lékařskou pomoc. Unikající kapalina z baterie může způsobit podráždění pokožky nebo popáleniny.**

#### Servis:

- a) Svěřte opravu vašeho elektrického nářadí pouze osobě s příslušnou kvalifikací, která bude používat výhradně originální náhradní díly. Tím zajistíte bezpečný provoz tohoto elektrického nářadí.

#### Pokyny pro nabíječku:

##### Určené použití

Nabíjejte pouze nabíjecí baterie typu Li-Ion CDA1106 20 V s kapacitou maximálně 2,0 Ah. Ostatní typy baterií mohou prasknout a způsobit zranění a poškození.

- a) **Tento výrobek není určen k použití osobami (včetně dětí) se sníženými fyzickými, smyslovými nebo duševními schopnostmi, nebo s nedostatkem zkušeností a znalostí, pokud jim nebyl stanoven dohled nebo pokud jim nebyly poskytnuty potřebné instrukce**
- b) **Děti musí být pod dozorem, aby si s tímto nářadím nehrály**
- c) **Nenabíjejte baterie, které nejsou k nabíjení určeny!**
- d) **Během nabíjení musí být baterie umístěny na dobře větraném místě!**

##### Zbytková rizika:

Přestože je elektrické nářadí používáno podle předepsaných pokynů, všechna zbytková rizika nemohou být vyloučena. V souvislosti s konstrukcí a designem elektrického nářadí se mohou objevit následující rizika:

- a) **Zdravotní problémy způsobené vibracemi, je-li elektrické nářadí používáno dlouhodobě nebo**

#### V následujících případech toto nářadí okamžitě vypněte:

- Dochází-li k nadměrnému jiskření uhlíků na kolektoru.
- Dojde-li k přerušení zástrčky kabelu, napájecího kabelu nebo napájení.
- Dojde-li k poškození spínače.
- Objeví-li se kouř nebo zápach spálené izolace.

#### Další bezpečnostní pokyny pro fukary napájené baterií:

- Neprovádějte nabíjení tohoto fukaru v dešti nebo ve vlhkém prostředí.
- Nepoužívejte fukar napájený baterií v dešti.
- Sejměte nebo odpojte baterii z fukaru před prováděním údržby, čištění nebo odstraněním materiálu z tohoto fukaru.
- Nevhazujte baterii do ohně. Tato baterie by mohla explodovat. Speciální pokyny pro likvidaci baterií vám poskytnou na místním úřadě.

#### Použití a údržba nářadí napájeného baterií:

- a) **Nabíjejte baterie pouze v nabíječce, která je specifikována výrobcem. Nabíječka vhodná pro jeden typ baterie může při vložení jiného nevhodného typu způsobit požár.**
- b) **Používejte elektrické nářadí pouze se specificky určenými bateriemi. Použití jiných typů baterií může způsobit vznik požáru nebo zranění.**



není-li odpovídajícím způsobem ovládáno a není-li správně prováděna jeho údržba.

- b) Zranění a hmotné škody v důsledku poškození pracovního příslušenství, které je náhle odmrštěno.



**Varování!** *Toto elektrické nářadí vytváří během použití elektromagnetické pole. Toto pole může za určitých okolností způsobit problémy, pokud jde o aktivní nebo pasivní lékařské implantáty. Chcete-li snížit riziko vážného nebo smrtelného úrazu, doporučujeme osobám s lékařskými implantáty, aby před použitím tohoto nářadí provedli konzultaci se svým lékařem a s výrobcem zdravotního implantátu.*

### Elektrická bezpečnost

Používáte-li elektrická zařízení, vždy dodržujte platné bezpečnostní předpisy, aby bylo omezeno riziko způsobení požáru, úrazu elektrickým proudem nebo zranění osob. Přečtěte si následující bezpečnostní pokyny i příložené bezpečnostní pokyny.



*Vždy zkontrolujte, zda se napájecí napětí sítě shoduje s napájecím napětím na výkonovém štítku.*



*Stroj třídy II – Dvojitá izolace – Nemusí být použit uzemňovací vodič.*

## 2. INFORMACE O NÁŘADÍ

### Technické údaje

Baterie	CDA1106
Nabíječka	CDA1107
Vstup nabíječky	220–240 V~, 50/60 Hz, 1,2 A
Výstup nabíječky	21 V, stejnosměrné, 2,2 A
Doba nabíjení baterie	60 minut
Otáčky naprázdno	13 000 ot./min
Maximální rychlost vzduchu	180 km/hod
Maximální objem vzduchu	5 m <sup>3</sup> /min
Hmotnost (včetně baterie)	1,9 kg
Úroveň akustického tlaku LPA	76,3 dB(A), K = 3 dB(A)
Úroveň akustického výkonu LWA	84,7 dB(A), K = 3 dB(A)
Hodnota vibrací	1,370 m/s <sup>2</sup> , K = 1,5 m/s <sup>2</sup>

### Vibrace

Deklarovaná úroveň vibrací uvedená v tomto návodu byla měřena v souladu se standardní zkušební metodou předepsanou normou EN 60745. Tato úroveň vibrací může být použita pro srovnání jednotlivých nářadí mezi sebou a také při předběžném posouzení působících vibrací při používání nářadí při uvedených aplikacích.

- Použití tohoto nářadí pro jiné aplikace nebo s odlišným nebo špatně udržovaným příslušenstvím může značně zvýšit působení vibrací.
- Doba, kdy je nářadí vypnuto nebo kdy je v chodu, ale aktuálně nevykonává žádnou práci, může působení vibrací značně zkrátit.

Chraňte se před působením vibrací prováděním řádné údržby tohoto nářadí i jeho příslušenství, udržujte ruce v teple a provádějte práci správným způsobem.

### Popis

Čísla v následujícím textu odkazují na obrázky na straně 2

### Obr. A, B, C

1. Baterie
2. Tlačítko pro uvolnění baterie
3. Indikace stavu nabití baterie
4. Nabíječka
5. LED indikátory nabíječky
6. Spínač zapnuto/vypnuto
7. Horní trubice
8. Spodní trubice

## 3. POUŽITÍ



*Před prvním použitím musí být nářadí nabito.*

### Vyjmutí baterie z nářadí

#### Obr. C1

- Jednou rukou pevně uchopte nářadí.
- Druhou rukou stlačte uvolňovací tlačítko baterie (2), které se nachází na zadní části baterie (1).
- Držte stále stisknuto uvolňovací tlačítko (2) a vysunujte baterii z nářadí směrem dozadu, jak je zobrazeno na obr. C1.



## Vložení baterie do nářadí

### Obr. C1



Před vložením do nabíječky nebo do nářadí zajistěte, aby byl povrch baterie čistý a suchý.

- Jednou rukou pevně uchopte nářadí.
- Zasuňte baterii (1) do základny nářadí.
- Zatlačte baterii dopředu tak, aby byla řádně zajištěna.

## Kontrola stavu nabití baterie

### Obr. C3



Příložená baterie je dodávána v částečně nabitém stavu.

- Chcete-li zkontrolovat stav nabití baterie, krátce stiskněte tlačítko (3) na baterii (1).
- K dispozici jsou 3 kontrolky indikující stav nabití baterie, čím více kontrolky svítí, tím více je baterie nabita.

## Nabíjení baterie

### Obr. C2

- Vyjměte baterii (1) z nářadí.
- Obráťte baterii (1) spodní stranou nahoru a zasuňte ji do nabíječky (4), jak je zobrazeno na obr. C2.
- Stlačte baterii (1) tak, aby došlo k jejímu řádnému usazení v drážce nabíječky.
- Připojte zástrčku napájecího kabelu nabíječky (4) k síťové zásuvce a chvíli počkejte. LED indikátor (5) na nabíječce (4) se rozsvítí a zobrazí aktuální stav nabití baterie.

## Indikátor nabíjení

### Obr. C2

Tato nabíječka je vybavena indikátorem stavu nabíjení (5), který indikuje stav procesu nabíjení:

### Barva LED indikátor stavu nabíjení

Červená	Probíhající nabíjení baterie
Zelená	Nabíjení baterie ukončeno, baterie je zcela nabita

- Úplné nabití baterie může trvat až 1 hodinu.
- Jakmile bude baterie zcela nabita, odpojte zástrčku kabelu nabíječky od zásuvky a vyjměte baterii z nabíječky.
- Baterie může být uložena nebo může být přímo vložena do nářadí.



Baterie Li-Ion mohou být uloženy dlouhou dobu, aniž by došlo k velkému poklesu jejich nabití. Nebude-li toto nářadí používáno delší dobu, zajistěte, aby byla baterie před uložením nabita.

## Sestavení trubíc

### Obr. B



Před montáží příslušenství vždy z nářadí vyjměte baterii.

- Nasuňte horní trubici (7) na kryt motoru tak, aby byla tato trubice řádně zajištěna na určeném místě.
- Nasuňte spodní trubici (8) na horní trubici (7) tak, aby byla řádně zajištěna na určeném místě.

## Zapnutí a vypnutí nářadí

### Obr. A

Pro zapnutí nářadí je používán spínač zapnuto/vypnuto (5). Jakmile budete připraveni na zahájení práce a v rovnovážné poloze, stiskněte spínač zapnuto/vypnuto (5) a nářadí se zapne. Opětovným stisknutím tohoto spínače dojde k vypnutí nářadí.

## ÚDRŽBA



Před čištěním a prováděním údržby nářadí vždy vypnete a vyjměte baterii z nářadí.

Pravidelne čistete kryt nářadí mekkým hadříkem, pokud možno po každém použití. Ujistete se, zda nejsou vetrací otvory zaneseny prachem nebo jinými nečistotami. Odolnější nečistoty odstraníte pomocí mekkého hadříku navlhčeného v mýdlové pene. Nepoužívejte žádná rozpouštědla, jako jsou benzín, líh, cpavek atd. Takové chemické látky mohou způsobit poškození dílu z umělé hmoty.

## OCHRANA ŽIVOTNÍHO PROSTŘEDÍ



Poškozená a likvidovaná elektrická nebo elektronická zařízení musí být odevzdána ve sběrných dvorech, které jsou určeny pro tento účel.

**Pouze pro zeme EU**

Nevyhazujte elektrická náradí do běžného domácího odpadu. Podle evropské směrnice 2012/19/EU týkající se likvidace elektrických a elektronických zařízení a její implementace do vnitrostátního práva, musí být nepoužívaná elektrická náradí shromažďována odděleně a jejich likvidace musí být provedena tak, aby nedošlo k ohrožení životního prostředí.

**ZÁRUKA**

Záruční podmínky můžete nalézt na přiloženém záručním listě.

**Na tomto výrobku a v tomto návodu mohou být provedeny změny. Technické údaje mohou být změněny bez předchozího upozornění.**

**BEZŠNÚROVÝ VYSÁVAČ LÍSTIA  
LBM1010**

**Ďakujeme vám, že ste si zakúpili produkt značky Ferm.** Získali ste tým špičkový produkt od jedného z popredných európskych dodávateľov. Všetky produkty, ktoré vám boli dodané spoločnosťou Ferm sa vyrábajú podľa najvyšších štandardov výkonu a bezpečnosti. V rámci našej podnikovej filozofie poskytujeme aj špičkové zákaznícke služby v kombinácii s komplexnou zárukou. Dúfame, že náš produkt vám bude dobre slúžiť ešte mnoho rokov.



*Prečítajte si priložené bezpečnostné varovania, doplnkové bezpečnostné varovania a pokyny. Nedodržovanie bezpečnostných varovaní a pokynov môže mať za následok zásah elektrickým prúdom, vznik požiaru a/alebo vážnu ujmu na zdraví. Všetky bezpečnostné varovania a pokyny si odložte na budúce použitie.*

**Cieľové použitie**

Vysávače lístia sú vyvinuté za účelom odstránenia listov z ulíc, záhrady a trávnik. Ventilátor vo vysávači lístia spôsobuje prietok vzduchu, ktorý sa dá použiť na odfúknutie listov.

**1. BEZPEČNOSTNÉ POKYNY**

V používateľskej príručke alebo priamo na produkte nájdete nasledujúce symboly:



*Prečítajte si používateľskú príručku.*



*Vypovedá o riziku ujmy na zdraví, usmrtenia a poškodenia náradia v prípade nedodržovania pokynov v tejto príručke.*



*Riziko zásahu elektrickým prúdom.*



*Majte nasadenú ochranu sluchu. Používajte ochranu zraku.*



*Majte nasadenú protiprachovú masku.*



*Nebezpečenstvo – ruky udržiňte v dostatočnej vzdialenosti od pohyblivých častí*



*Dávajte pozor, aby odletujúce predmety nezasiahli iné osoby. Iné osoby udržiňte v bezpečnej vzdialenosti od zariadenia.*



*Nevystavujte dažďu*



*Max. teplota 40 °C.*



*Batériu nevhadzujte do ohňa.*



*Batériu nevhadzujte do vody.*



*Produkt nelikvidujte v nevhodných kontajneroch.*



*Separovaný zber pre lítium-iónovú batériu.*



*Pred čistením a údržbou vždy vypnite zariadenie a zo zariadenia vyberte akumulátor.*



*Produkt je v súlade s platnými bezpečnostnými štandardmi obsiahnutými v európskych smerniciach.*

### **Doplnkové bezpečnostné varovania pre fúkač/vysávač**

- Pracovný priestor udržiňte čistý a uprataný. Elektrické náradie nepoužívajte v daždi alebo mokrých prostrediach.
- Výslovne odporúčame, aby ste pri používaní tohto spotrebiča použili RCD (Zariadenie zvyškového prúdu) na zástrčke nepresahujúce 30 mA.
- Elektrické náradie nepoužívajte na miestach s rizikom požiaru alebo explózie, ako napr. v blízkosti horľavých kvapalín alebo plynov.
- Zabráňte vstupu ľudí, a to obzvlášť detí alebo domácich miláčikov, do pracovného priestoru.
- Nedovoľte deťom alebo iným osobám dotýkať sa elektrického náradia.
- Skladujte ho na suchom mieste mimo dosahu detí.
- Vždy majte nasadené bezpečnostné okuliare. Odporúčame používať aj ochranu sluchu.
- Používajte správne oblečenie (dlhé nohavice) – žiadne voľné doplnky alebo šperky a uistite sa, že sa odev nedostane do kontaktu s pohyblivými časťami.
- Noste protišmykové topánky. Nenoste sandále alebo topánky s otvorenou špičkou.
- Ak máte dlhé vlasy, zviažte ich dozadu, aby sa zabránilo ich zachyteniu pohyblivými časťami.
- Pred použitím ľubovoľného elektrického náradia najprv skontrolujte, či jeho časti nie sú poškodené. Ak objavíte poškodené časti, zariadenie nepoužívajte dovtedy, kým sa tieto časti nevymenia za nové.
- Elektrické zariadenie nepoužívajte, ak ste unavený(-á) alebo ste požíli alkohol.
- Počas práce sa nadmerne nenakláňajte – môžete stratiť rovnováhu.
- Po použití musíte svoje náradie vypnúť pomocou spínača zap./vyp. na náradí.
- Zariadenie používajte iba na jeho určený účel - odfukovanie alebo vysávanie listov.
- Vysávač nesmerujte na ľudí alebo zvieratá.
- Neodfúkavajte sutinu smerom na ľudí alebo zvieratá.
- Zariadenie používajte len pri dennom svetle alebo pri dobrom umelom svetle.
- Nedávajte si ruku do trubice vysávača alebo vrečka, kým sa vysávač nevypne a nevytiahne za zástrčku zo sieťového napájania.
- Používajte výlučne predĺžovačky, ktoré sú vhodné pre exteriérové použitie. Kábel sa musí uchovať z dosahu nadmerného tepla, oleja, rozpúšťadiel a ostrých hrán.
- Pravidelne kontrolujte, či sú utiahnuté všetky matice a skrutky.
- Obsluhujúci pracovník alebo používateľ je zodpovedný za nehody alebo nebezpečenstvá, ktoré sa prihodia iným ľuďom alebo na ich majetku.
- Na predchádzanie podráždeniu prachom odporúčame, aby ste mali nasadenú tvárovú masku.
- Kábel vždy nasmerujte dozadu smerom od spotrebiča.
- Spotrebič neprenášajte za kábel.

- Spotrebič odpojte od sieťového napájania
- Pred odstránením upchatia.
- Pred kontrolou, čistením alebo údržbou spotrebiča.
- Ak spotrebič začne nezvyčajne vibrovať.
- Vždy, keď sa od neho vzdialíte.
- Na svahoch si vždy dávajte pozor, kam šľapete.
- Chodte a nikdy nebežte.
- Všetky vstupy na chladenie vzduchom uchovajte čisté od sutiny alebo zablokovania.
- Všetky matice, západky a skrutky udržiajte utiahnuté, aby ste sa uistili, že spotrebič je v bezpečnom prevádzkovom stave.
- Pravidelne kontrolujte vrečko na sutinu, či nie je opotrebované alebo poškodené.
- Opotrebované alebo poškodené diely vymeňte.
- Používajte výlučne originálne náhradné diely a príslušenstvo.

#### Zariadenie okamžite vypnite, keď:

- Nadmerne iskria uhlíkové kefy a keď je zberný priestor upchatý.
- Dôjde k narušeniu elektrickej zástrčky, napájacieho kábla alebo poškodeniu napájacieho kábla.
- Dôjde k poruche spínača.
- Zacítite zápach spálenej izolácie.

#### Dodatočné bezpečnostné pokyny pre bežnú údržbu vysávača listia:

- Vysávač listia nenabíjajte v daždi alebo na vlhkých miestach.
- Vysávače listia napájané batériami nepoužívajte počas dažďa.
- Pred vykonaním servisu, čistením alebo odstraňovaním materiálu z vysávača na listie vyberte alebo odpojte batériu.
- Batériu(-ie) nelikvidujte v ohni. Akumulátor môže vybuchnúť. Skontrolujte si miestne pravidlá pre pokyny ohľadom možnej špeciálnej likvidácie.

#### Používanie náradia na batériu a náležitá starostlivosť:

- a) **Nabíjajte len nabíjačkou špecifikovanou výrobcom.** Nabíjačka vhodná pre jeden typ akumulátorovej batérie môže vyvolať riziko vzniku požiaru pri používaní s inou akumulátorovou batériou.

- b) **Elektrické náradie používajte len v kombinácii so špecificky stanovenými akumulátorovými batériami.** Používanie iných akumulátorových batérií môže spôsobiť riziko ujmy na zdraví a vzniku požiaru.
- c) **Keď sa akumulátorová batéria nepoužíva, držte ju v dostatočnej vzdialenosti od kovových predmetov, ako sú spinky na papier, mince, kľúče, kince a iné drobné kovové predmety, ktoré môžu prepojiť jeden pól s druhým.** Vzájomné skratovanie pólov batérie môže spôsobiť popálenie alebo požiar.
- d) **Pri násilnom zaobchádzaní môže z batérie uniknúť kvapalina; predchádzajte kontaktu. Ak sa kontakt náhodou vyskytne, opláchnite vodou. Ak sa kvapalina dostane do očí, vyhľadajte lekársku pomoc.** Kvapalina unikajúca z batérie môže spôsobiť podráždenie a popálenie.

#### Servis:

- a) Svoje elektrické náradie si nechávajú opravovať len u kvalifikovaného opravára s použitím identických náhradných dielov. Tým zaručíte zachovanie bezpečnosti elektrického náradia.

#### Pre nabíjačku:

##### Cieľové použitie

Nabíjajte len lítium-iónové nabíjateľné akumulátorové batérie CDA1106 20 V max. 2,0 Ah. Iné typy batérií môžu prasknúť a spôsobiť ublíženie na zdraví alebo škody.

- a) **Tento spotrebič nie je vhodný na použitie osobami (vrátane detí) so zníženými fyzickými, vnemovými alebo duševnými schopnosťami, prípadne nedostatkom skúseností a poznatkov, pokiaľ im nie je zabezpečený dohľad a poučenie inou osobou.**
- b) **Na deti je potrebné dohliadať, aby sa nehrali so spotrebičom.**
- c) Nenabíjajte batérie, ktoré nie sú určené na opakované nabíjanie!
- d) Počas nabíjania sa batérie musia umiestniť do riadne odvetrávanej oblasti!

#### Reziduálne riziká:

Ani v prípade, ak sa elektrické náradie používa podľa pokynov, nie je možné eliminovať všetky zvyškové rizikové faktory. Nasledujúce nebezpečenstvá môžu vyvstať vzhľadom na

konštrukciu a dizajn elektrického náradia:

- Zdravotné defekty vyvstávajúce z vibračných emisií elektrického náradia hrozia v prípade, ak sa náradie používa počas dlhých časových období alebo sa správne nespravuje a nepodrobuje údržbe.
- Ublíženie na zdraví a škody na majetku môžu byť spôsobené vymrštenými kusmi zlomeného príslušenstva.



**Varovanie!** Toto elektrické náradie počas prevádzky vytvára elektromagnetické pole. Toto pole môže za istých okolností rušiť aktívne alebo pasívne lekárske implantáty. V záujme zníženia rizika vážnych a smrteľných zranení odporúčame sa osobám s lekárskeymi implantátmi pred zahájením používania náradia poradiť s ošetroujúcim lekárom.

### Elektrická bezpečnosť

Pri používaní elektrických zariadení vždy dodržiavajte bezpečnostné nariadenia platné vo vašej krajine, aby sa minimalizovalo riziko požiaru, zásahu elektrickým prúdom a ujmy na zdraví. Prečítajte si nasledujúce bezpečnostné pokyny a tiež priložené bezpečnostné pokyny.



Vždy skontrolujte, či napätie napájacieho zdroja zodpovedá napätiu na výkonovom štítku.



Zariadenie triedy II - dvojité izolácia - Nepotrebuje žiadnu uzemnenú zásuvku.

## 2. INFORMÁCIE O ZARIADENÍ

### Technické špecifikácie

Batéria	CDA1106
Nabíjačka	CDA1107
Príkon nabíjačky	220-240 V ~ 50/60 Hz 1,2A
Výstup nabíjačky	21V jednosmerného prúdu, 2,2 A
Doba nabíjania batérie	60 min
Voľnobežné otáčky	13 000 otáčok za min.
Max. rýchlosť fúkania	180 km/hod
Max objem vzduchu	5 m <sup>3</sup> /min
Hmotnosť (s batériou)	1,9 kg
Akustická úroveň tlaku LPA	76,3 dB(A), K = 3 dB(A)
Úroveň akustického výkonu LWA	84,7 dB(A), K = 3 dB(A)
Vibrácie	1,370 m/s <sup>2</sup> K = 1,5 m/s <sup>2</sup>

### Hladina vibrácií

Hladina vibračných emisií uvádzaná v tejto používateľskej príručke bola nameraná podľa štandardizovaného testu definovaného v štandarde EN 60745; môže sa použiť na porovnanie jedného náradia s druhým a ako predbežné hodnotenie vibrácií pri používaní náradia na uvádzané účely.

- Používanie náradia na rôzne účely alebo s rôznym či nevhodne udržiavaným príslušenstvom môže výrazne zvýšiť hladinu expozície.
- Obdobia, keď je náradie vypnuté alebo sa prevádzkuje na voľnobeh (bez pracovného úkonu), môžu výrazne znížiť hladinu expozície.

Pred účinkami vibrácií sa chráňte údržbou náradia a príslušenstva, udržiavaním rúk v teple a vhodnou organizáciou pracovných postupov.

### Popis

Čísla uvedené v texte sa odvolávajú na diagramy na strane 2

### Obr. A, B, C

- Batéria
- Tlačidlo uvoľnenia batérie
- Signalizácia nabíjania batérie
- Nabíjačka
- Indikátory LED nabíjačky
- Spínač zap./vyp.
- Horná trubica
- Dolná trubica

## 3. PREVÁDZKA



Zariadenie sa pred prvým použitím musí nabiť.

### Vybratie batérie zo zariadenia

#### Obr. C1

- Zariadenie pevne uchopte jednou rukou.
- Druhou rukou stlačte tlačidlo na uvoľnenie batérie (2) na zadnej strane batérie (1).
- Tlačidlo odomknutia (2) držte stlačené a batériu vytiahnite von zo zariadenia podľa znázornenia na obr. C1.

## Vloženie batérie do zariadenia

### Obr. C1



*Pred pripojením k nabíjačke alebo vložení do zariadenia skontrolujte, či je exteriér batérie čistý a suchý.*

- Zariadenie pevne uchopíte jednou rukou.
- Batériu (1) vložte do základne zariadenia.
- Batériu tlačte ďalej dopredu, kým nezapadne na miesto.

## Kontrola stavu nabitia batérie

### Obr. C3



*Obsiahnutá batéria sa dodáva v čiastočne nabitom stave.*

- Ak chcete skontrolovať stav nabitia batérie, nakrátko stlačte tlačidlo (3) na batérii (1).
- Batéria má 3 svetlá signalizujúce úroveň nabitia, pričom čím viac ich svieti, tým viac je batéria nabitá.

## Nabíjanie batérie

### Obr. C2

- Batériu (1) vyberte zo zariadenia.
- Batériu (1) otočte hore nohami a zasuňte ju do nabíjačky (4) podľa znázornenia na obr. C2.
- Batériu (1) tlačte, kým ju celkom nezatlačíte do priechinka.
- Zástrčku nabíjačky (4) pripojte k elektrickej zásuvke a chvíľu počkajte. Indikátor LED (5) na nabíjačke (4) sa rozsvieti a zobrazí stav nabíjania.

## Indikátor nabíjania

### Obr. C2

Nabíjačka je vybavená indikátorom nabíjania (5), ktorý signalizuje stav procesu nabíjania:

Stav podľa farby LED	
Červená	Prebieha nabíjanie batérie
Zelená	Nabíjanie batérie sa dokončilo, batéria je úplne nabitá

- Úplné nabitie batérie môže trvať až 1 hodinu.
- Keď batériu úplne nabijete, odpojte konektor nabíjačky zo zásuvky a batériu vyberte z nabíjačky.
- Batériu môžete uschovať alebo priamo nainštalovať do zariadenia.



*Lítium-iónové články je množné uchovávať dlhodobo bez toho, aby stratili svoju kapacitu nabitia. Keď sa zariadenie dlhší čas nebude používať, najlepšie je batériu uskladniť v nabitom stave.*

## Zloženie trubíc

### Obr. B



*Pred osádzaním príslušenstva vždy vyberte batériu.*

- Hornú trubicu (7) nasuňte na puzdro motora, kým nezacvakne na svoje miesto.
- Dolnú trubicu (8) nasuňte na hornú trubicu (7), kým nezacvakne na svoje miesto.

## Zapnutie a vypnutie zariadenia

### Obr. A

Spínač Zap./Vyp. (5) slúži na aktivovanie zariadenia. Keď budete pripravený a budete mať dobre rozloženú hmotnosť, stlačte spínač zap./vyp. (5) a zariadenie sa spustí. Opätovným stlačením ho vypnete.

## ÚDRŽBA



*Pred čistením a údržbou vždy vypnite zariadenie a zo zariadenia vyberte akumulátor.*

Puzdro zariadenia vycistíte jemnou tkaninou, podľa možnosti po každom použití. Uistite sa, že vetracie otvory neobsahujú prach a nečistoty. Odolné nečistoty odstráňte jemnou tkaninou navlhčenou v mydlovej vode. Nepoužívajte rozpúšťadlá ako benzín, alkohol, amoniak a pod. Takéto chemické látky poškodia syntetické komponenty.

## ZIVOTNÉ PROSTREDIE



*Chybné alebo vyradené elektrické či elektronické zariadenia musia byť zberané v príslušných recyklačných zberniach.*

## Len pre krajiny ES

Elektrické náradie nelikvidujte ako súčasť komunálneho odpadu. Podľa Európskej smernice

2012/19/EU o vyradených elektrických a elektronických zariadeniach a jej implementácie do národného práva sa elektrické náradie, ktoré je viac nepoužiteľné, musí zberat ako separovaný odpad a likvidovat ekologickým spôsobom.

## ZÁRUKA

Záručné podmienky nájdete v samostatne priloženom záručnom liste.

**Produkt a používateľská príručka podliehajú zmenám. Špecifikácie sa môžu zmeniť bez predchádzajúceho upozornenia.**

## Akumulatorinis lapų pūstuvas LBM1010

**Dėkojame, kad nusipirkote šį bendrovės Ferm produktą.** Įsigijote puikų gaminį iš vieno geriausių Europos platintojų. Visi bendrovės Ferm tiekiami produktai gaminami prisilaikant griežčiausių technologinių ir saugumo normų. Mūsų komercinės filosofijos dalis yra kokybiškas servisas klientams kompleksinės garantijos pagrindu. Tikimės, kad šis gaminys jums patikimai tarnaus ilgus metus.



*Prieš naudodamiesi prietaisu, atidžiai perskai-tykite šią instrukciją. Įsitinkite, kad žinote kaip prietaisas veikia ir kaip juo naudotis. Kad prietaisas veiktų tinkami, eksploatuokite jį pagal instrukcijos nurodymus. Saugokite šią instrukciją ir pridėdamą dokumentaciją kartu su prietaisu.*

### Naudojimo paskirtis

Lapų pūstuvai suprojektuoti lapams šalinti nuo gatvių, sodų ir pievų. Lapų pūstuvo viduje įrengtas ventiliatorius generuoja oro srautą, kuriuo ir nupučiami lapai.

## 1. SAUGOS TAISYKLĖS

Šioje naudojimo instrukcijoje ir arba ant įrenginio naudojami simboliai:



*Perskaitykite nurodymus!*



*Reiškia susižeidimo pavojų, pavojų gyvybei ar įrankio sugadinimo grėsmę nesilaikant instrukcijos nurodymų.*



*Elektros smūgio pavojus.*



*Naudokite klausos apsaugos priemones. Dėvėkite akių apsaugas.*



*Dėvėkite apsauginę kaukę.*



*Pavojus – laikykite rankas atokiai nuo judančių dalių.*



*Pasirūpinkite, kad išsviedžiami objektai nekliudytų pašalinių asmenų. Pašaliniai asmenys turi stovėti saugiu atstumu nuo įrenginio.*



*Saugokite nuo lietaus.*



Max 40 °C

*Maks. temperatūra 40 °C.*



*Nemeskite akumulatoriaus į ugnį.*



*Nemeskite akumulatoriaus į vandenį.*



*Neišmeskite šio prietaiso į netinkamus konteinerius.*



*Ličio jonų akumulatoriai yra surenkami atskirai.*



*Prieš atlikdami valymo ir techninės priežiūros darbus, visada išjunkite įrenginį ir ištraukite maitinimo laido kištuką iš elektros lizdo.*



*Šis gaminytis atitinka galiojančius Europos direktyvų standartus.*

### **Papildomi lapų pūstuvų / siurblių saugos įspėjimai**

- Palaikykite darbo vietoje švarą ir tvarką. Nedirbkite elektriniais įrankiais lyjant lietui arba drėgnoje aplinkoje.
- Kartu su šiuo prietaisu prilygtinai rekomenduojame naudoti RCD (liekamosios srovės apsaugą), kurio srovės stipris neviršytų 30 mA. Jis turi būti sumontuotas elektros lizde.
- Nenaudokite elektrinių įrankių vietose, kuriose kyla gaisro arba sprogdimo pavojus, pvz., šalia liepsniųjų skysčių ar dujų.
- Į darbo vietą neleiskite eiti žmonėms, ypač – vaikams, taip pat – gyvūnams augintiniams.
- Neleiskite vaikams ar kitiems žmonėms liesti elektrinių įrankių.
- Sandėliuokite sausoje, vaikams nepasiekiamoje vietoje.
- Visada dėvėkite apsauginius akinius. Taip pat rekomenduojame naudoti klausos apsaugos priemones.
- Dėvėkite tinkamus drabužius (ilgas kelnes), nedėvėkite laisvų drabužių, papuošalų, užtikrinkite, kad drabužiai nesusilieję su judančiomis dalimis.
- Avėkite batus neslystančiais padais. Neavėkite sandalų arba batų atvirais (pirštų) galais.
- Jei nešiojate ilgus plaukus, saugiai susiriškite juos už galvos, kad nekybotų ir neišsipainiotų į judančias dalis.
- Prieš naudodami bet kokį elektrinį įrankį, pirmiausia patikrinkite, ar nėra apgadintų dalių. Tokių aptikę, įrankio nebenaudokite, kol dalių nepakeisite naujomis.
- Nenaudokite elektrinių įrankių būdami pavargę ar pavartoję alkoholio.
- Dirbdami nesiekite per toli, nes galite prarasti pusiausvyrą.
- Panaudoję išjunkite įrankį įjungikliu / išjungikliu.
- Šį prietaisą naudokite tik pagal paskirtį – lapams pūsti arba siurbti.
- Nenukreipkite pūstuvo į žmones ar gyvūnus.
- Nepūskite šiukšlelių į žmones ar gyvūnus.
- Prietaisu dirbkite tik dienos šviesoje arba esant geram dirbtiniam apšvietimui.
- Kol pūstuvus neišjungtas ir kištukas neištrauktas iš elektros lizdo, nekieskite rankos į pūstuvo vamzdį arba krepšį.
- Naudokite tik laukui tinkamus ilginimo kabelius. Kabelį reikia saugoti nuo kaitros, alyvos, tirpiklių ir aštrių kraštų.
- Periodiškai patikrinkite, ar gerai prisukti visi varžtai ir sraigčiai.
- Operatorius (naudotojas) atsako už nelaimingus atsitikimus arba pavojus, keliamus kitiems asmenims ar jų turtui.
- Siekiant išvengti dulkių sukeliama dirginimo, rekomenduojame dėvėti veido kaukę.
- Visada nukreipkite kabelį link prietaiso galinės dalies.
- Neneškite prietaiso už kabelio.
- Atjunkite prietaisą nuo elektros tinklo.
- Prieš valydami kamštį;
- Prieš tikrindami, valydami arba atlikdami prietaiso techninės priežiūros darbus;



- Jei prietaisas pradėjo nenormaliai vibruoti.
- Prieš palikdami įrenginį be priežiūros.
- Šlaituose visada stovėkite tvirtai.
- Eikite. Niekada nebėkite.
- Pasirūpinkite, kad aušinimo oro įleidimo angose nebūtų šiukšlelių ar kitų kamsčių.
- Visos veržlės, varžtai ir sraigčiai turi būti tvirtai prisukti, kad prietaisas būtų saugios darbinės būklės.
- Dažnai tikrinkite šiukšlelių rinktuvą, ar nėra susidėvėjimo arba gedimo požymių.
- Pakeiskite susidėvėjusias arba apgadintas dalis.
- Naudokite tik originalias atsargines dalis ir priedus.

#### Nedelsdami išjunkite įrenginį, jei:

- angliniai šepetėliai ima intensyviai kibirkščiuoti arba užsikemša rinktuvas;
- sugenda maitinimo kištukas, nutrūksta arba pažeidžiamas maitinimo kabelis;
- aptinkate jungiklio defektą.
- izoliacija ima rūkti arba užuodžiate svylančios izoliacijos kvapą.

#### Papildomos belaidžių lapų pūstuvų naudojimo saugos instrukcijos:

- Neįkraukite lapų pūstuvo lyjant lietui arba drėgnoje aplinkoje.
- Nenaudokite akumuliatorinio lapų pūstuvo lyjant lietui.
- Prieš vykdydami lapų pūstuvo priežiūros, valymo ar medžiagų šalinimo darbus, išimkite arba atjunkite akumuliatorių.
- Nemeskite akumuliatoriaus (-ių) į ugnį. Akumuliatoriai gali sprogti. Pasiskaitykite vietas įstatymus, kur gali būti pateikta utilizavimo instrukcijų.

#### Akumuliatorinių įrankių naudojimas ir priežiūra:

- Įkraukite naudodami tik gamintojo nurodytą kroviklį.** *Vieno tipo akumuliatoriui tinkantis kroviklis, naudojamas kitam akumuliatoriui krauti, gali kelti gaisro pavojų.*
- Elektrinius įrankius naudokite tik su specialiai jiems skirtais akumuliatoriais.** *Naudojant kitos rūšies akumuliatorių blokus, galima susižeisti arba sukelti gaisrą.*
- Kai akumuliatorius nėra naudojamas, laikykite jį toliau nuo kitų metalinių**

**daiktų, pavyzdžiui, popieriaus sąvaržėlių, monetų, raktų, vinių, varžtų ir kitų mažų metalinių daiktų, dėl kurių gali kilti trumpasis jungimas tarp kontaktų.** *Sulietę akumuliatoriaus gnybtus galite nusideginti arba patirti gaisrą.*

- Netinkamai naudojant, iš akumuliatoriaus gali ištekėti skysčio; venkite sąlyčio su juo.** *Jei sąlytis atsitiktinai įvyko, gausiai nuplaukite vandeniu. Jei skysčio pateko į akis, kreipkitės į gydytoją.* *Iš baterijos ištekėjęs skystis gali sudirginti arba nudeginti odą.*

#### Techninė priežiūra

- Šį elektrinį įrankį privalo techniškai prižiūrėti kvalifikuotas specialistas, naudodamas originalias keičiamąsias dalis.** *Taip užtikrinsite saugų elektros įrankio darbą.*

#### Kroviklis Numatytoji naudojimo paskirtis

Kraukite tik CDA1106 arba 20 V, maks. 2,0Ah ličio jonų daugkartinio naudojimo akumuliatorius. Kitų rūšių akumuliatoriai gali užsiliepsnoti ir sužeisti jus bei padaryti žalos turtui.

- Šis buitinis prietaisas nėra skirtas naudoti vaikams arba žmonėms, turintiems fizinių, jutimo ar psichinių sutrikimų arba asmenims, neturintiems pakankamai patirties ir žinių, kaip naudoti šį gaminį, nebent juos prižiūrėtų arba pamokytų, kaip naudoti šį prietaisą, už jų saugą atsakingas asmuo.**
- Prižiūrėkite vaikų; neleiskite vaikams žaisti su šiuo prietaisu.**
- Nebandykite įkrauti vienkartinę bateriją!**
- Kraunamus akumuliatorius privaloma laikyti gerai vėdinamoje patalpoje!**

#### Kiti pavojai

Netgi naudojant elektrinį įrankį taip, kaip nurodyta, neįmanoma atmesti visų likusių pavojų veiksnių. Dėl šio elektrinio įrankio konstrukcijos ir dizaino gali kilti tokių pavojų:

- Žala sveikatai dėl vibracijos poveikio, jeigu įrankis naudojamas ilgą laiką ir nėra tinkamai eksploatuojamas arba techniškai prižiūrimas;**
- Sužalojimai ir turtinė žala sulūžus ir staigiai išlėkus priedams.**



**Įspėjimas!** Šis elektrinis įrankis darbo metu sukuria elektromagnetinį lauką. Esant tam tikroms sąlygoms, šis laukas gali sutrikdyti aktyvių arba pasyvių medicininių implantų veikimą. Norint sumažinti sunkių arba mirtinų sužeidimų pavojų, rekomenduojame, kad asmenys, turintys medicininių implantų, prieš pradėdami naudoti šį elektrinį įrankį, pasitartų su savo fizioterapeutais ir medicininių implantų gamintojais.

### Elektros sauga

Naudodamiesi elektros prietaisais visada laikykitės jūsų šalyje galiojančių darbų saugos taisyklių. Taip sumažinsite gaisro, elektros smūgio ar traumos pavojų. Perskaitykite šias, taip pat ir pridėtas saugos taisykles. Laikykite šią instrukciją saugioje vietoje!



Visada įsitikinkite, kad elektros šaltinio įtampa atitiktų nurodytą ant prietaiso techninių duomenų lentelės.



2 saugos klasės mašina – dviguba izoliacija – Jums nereikės naudoti kištuko su žeminiu.

## 2. INFORMACIJA APIE ĮRENGINĮ

### Techniniai duomenys

Akumuliatorius	CDA1106
Kroviklis	CDA1107
Kroviklio įvesties lizdas	220-240V ~ 50/60Hz 1,2A
Kroviklio įvestis	21V NS, 2,2A
Akumuliatoriaus įkrovimo laikas	60 min
Greitis be apkrovos	13000/min
Maks. pūstuvo oro srauto greitis	180 km/h
Maks. oro srauto tūris	5 m <sup>3</sup> /min.
Svoris (su akumuliatoriumi)	1,9 kg
Garso slėgio lygis LPA	76,3 dB(A) K=3 dB(A)
Garso galios lygis LWA	84,7 dB(A) K=3 dB(A)
Vibracijos vertė	1370 m/s <sup>2</sup> K=1,5 m/s <sup>2</sup>

### Vibracijos lygis

Šioje naudojimo instrukcijoje nurodytas vibracijos lygis nustatytas atsižvelgiant į standartinį bandymo metodą, pateiktą EN60745; jį galima naudoti palyginimui su kitais įrankiais ir preliminarium vibracijos poveikio įvertinimui naudojant įrankį minėtiems darbams atlikti.

- Naudojant įrankį kitokiems darbams arba naudojant su kitokiais arba prastai techniškai prižiūretais priedais, poveikio lygis gali ženkliai padidėti.
- Kai įrankis yra išjungtas arba kai jis veikia, bet faktiškai nėra naudojamas, poveikio lygis gali ženkliai sumažėti.

Apsisaugokite nuo vibracijos poveikio, techniškai prižiūredami įrankį ir jo priedus, laikydami rankas šiltai, planuodami darbus.

### Aprašas

Šiame tekste esantys skaičiai atitinka 2 psl. esančius paveikslėlius.

### A, B, C pav.

1. Akumuliatorius
2. Akumuliatoriaus atlaisvinimo mygtukas
3. Akumuliatoriaus įkrovimo indikatorius
4. Kroviklis
5. Kroviklio diodiniai indikatoriai
6. Įjungimo/išjungimo jungiklis
7. Viršutinis vamzdis
8. Apatinis vamzdis

## 3. NAUDOJIMAS



Prieš naudojant pirmą kartą, akumuliatorių privaloma įkrauti.

### Akumuliatoriaus išėmimas iš įrankio

#### C1 pav.

- Viena ranka tvirtai laikykite įrankį
- Kita ranka paspauskite akumuliatoriaus atlaisvinimo mygtuką (2), esantį galinėje akumuliatoriaus pusėje (1).
- Laikydami nuspaudė šį mygtuką (2), ištraukite akumuliatorių iš įrankio, kaip parodyta C1 pav.

### Akumuliatoriaus įdėjimas į įrankį

#### C1 pav.



Prieš prijungdami akumuliatorių prie kroviklio arba prieš įdėdami jį į įrankį, įsitikinkite, ar akumuliatoriaus išorinis paviršius yra švarus.

- Viena ranka tvirtai laikykite įrankį.
- Įkiškite akumuliatorių (1) į įrankio pagrindą.

- Stumkite akumuliatorių pirmyn, kol jis spragtelėdamas užsifiksuos.

### Baterijos įkrovos būsenos tikrinimas C3 pav.



*Pristatomas akumulatorius pateikiamas dalinai įkrautas.*

- Norėdami patikrinti akumulatoriaus įkrovos būseną, trumpam spustelėkite ant akumulatoriaus (1) esantį mygtuką (3).
- Akumulatorius turi 3 lemputes, rodančias įkrovos lygį: kuo daugiau lemputių šviečia, tuo labiau yra įkrautas akumulatoriaus.

### Akumulatoriaus krovimas C2 pav.

- Išimkite akumuliatorių (1) iš įrankio
- Apverskite akumuliatorių (1) aukštin kojomis ir įstumkite jį į kroviklį (4), kaip pavaizduota C2 pav.
- Stumkite akumuliatorių (1) tol, kol jis bus visiškai įkištas į angą.
- Prijunkite kroviklį (4) prie elektros lizdo ir šiek tiek palaukite. Užsidegs ant kroviklio (4) esantis diodinis indikatorius (5), rodantis įkrovos būseną.

### Krovimo kontrolinė lemputė C2 pav.

Kroviklis yra su krovimo kontroline lempute (5) rodančia įkrovos būseną:

#### Diodinio indikatorius spalva Būsena

Raudonas	Akumulatorius įkraunamas
Žalias	Akumulatorius visiškai įkrautas

- Akumulatoriui visiškai įkrauti gali prireikti iki 1 valandos.
- Krovimui pasibaigus, ištraukite kroviklį iš maitinimo lizdo ir išimkite akumuliatorių iš kroviklio.
- Akumuliatorių galima padėti atskirai arba įkišti tiesiai į įrankį.



*Ličio jonų akumulatorius galima laikyti ilgą laiką ir jie išsikrauna labai mažai. Jeigu įrankis nebus naudojamas ilgą laiką tarpą, akumuliatorių reikėtų laikyti visiškai įkrautą.*

### Vamzdžių surinkimas B pav.



*Prieš montuodami priedą, būtinai ištraukite akumuliatorių.*

- Užslinkite viršutinį vamzdį (7) ant variklio korpuso, kad spragtelėtų.
- Užslinkite apatinį vamzdį (8) ant viršutinio vamzdžio (7), kad spragtelėtų.

### Įrenginio įjungimas ir išjungimas A pav.

Įrenginys aktyvuojamas įjungikliu / išjungikliu (5). Kai pasiruošite ir atsistosite stabiliai, paspauskite įjungiklį / išjungiklį (5) ir įrenginys įsijungs. Paspauskite dar kartą, kad išjungtumėte.

## 4. TECHNINĖ PRIEŽIŪRA



*Prieš atlikdami valymo ir techninės priežiūros darbus, visada išjunkite jį ir ištraukite maitinimo laido kištuką iš elektros lizdo.*

Reguliariai valykite prietaiso korpusą sausa šluoste, pageidautina po kiekvieno panaudojimo. Ventilacijos angos turi būti švarios: nedulkėtos ir nepurvinos. Įsisenėjusį purvą nuvalykite minkšta šluoste, suvilgyta muiluotame vandenyje. Nenaudokite jokių tirpiklių, pavyzdžiui, benzino, alkoholio, amoniako ir panašiai, nes tokios cheminės medžiagos gali sugadinti sintetines įrankio sudedamąsias dalis.

## APLINKOSAUGA



*Sugedusius ir (arba) išmestus elektrinius arba elektroninius aparatus reikia pristatyti į atitinkamus perdirbimo punktus.*

### Taikoma tik EB šalims

Neišmeskite elektrinių įrankių kartu su įprastomis buitinėmis atliekomis. Atsižvelgiant į ES Direktyvą 2012/19/EU dėl elektrinių ir elektroninių įrenginių bei jos įgyvendinimą pagal nacionalinius teisės aktus, visi elektriniai įrankiai privalo būti surenkami atskirai nuo buitinių atliekų bei perdirbami tokiu būdu, kad nebūtų daroma žala aplinkai.

## GARANTIJA

Garantīnes saļygas galite rasti atskirai pridētoje garantijos kortelēje.

**Gamins ir naudojimo instrukcija gali būtī keičiami. Techniniai duomenys gali būtī keičiami ne išankstinio įspėjimo.**

## Bezvadū lapu pūtējs LBM1010

**Paldies, ka iegādājāties "Ferm" precī.** Tagad jums ir izcilas kvalitātes prece, ko piegādājis viens no Eiropas vadošajiem izplatītājiem. Visas "Ferm" piegādātās preces ir ražotas pēc augstākajiem izpildes un drošības standartiem, un saskaņā ar mūsu filozofiju mēs nodrošinām arī lielisku klientu apkalpošanu, kurā ietilpst gadu garantija. Mēs ceram, ka jūs izbaudīsiet šīs preces lietošanu daudzus, jo daudzus gadus.



*Pirms ierīces lietošanas rūpīgi izlasiet ekspluatācijas instrukcijas. Iepazīstieties ar tās funkcijām un darbības pamatprincipiem. Lai nodrošinātu ierīces pareizu darbību, veiciet tās apkopi atbilstoši instrukcijām. Ekspluatācijas instrukcijas un pievienotā dokumentācija jāglabā ierīces tuvumā.*

### Paredzētā lietošana

Lapu pūtēji paredzēti lapu aizvākšanai no ielām, dārziem un mauriņiem. Lapu pūtēja ventilators rada gaisa plūsmu, ar kur palīdzību lapas tiek aizpūstas.

## 1. DROŠĪBAS NORĀDĪJUMI

Šajā lietošanas rokasgrāmatā vai uz instrumenta tiek lietoti šādi apzīmējumi:



*Izlasiet šos norādījumus!*



*Apzīmē ievainojuma, nāves vai instrumenta bojājuma risku, ja netiek ievēroti šajā rokasgrāmatā sniegtie norādījumi.*



*Elektriskās strāvas trieciena risks*



*Valkājiet ausu aizsargus. Valkājiet acu aizsargus.*



*Valkājiet putekļu masku*



*Bīstami! Netuviniet rokas kustīgajām detaļām.*



*Uzmanieties, lai gaisā izsviesti priekšmeti neievainotu apkārtējās personas.  
Uzmaniet, lai apkārtējās personas atrastos drošā attālumā no instrumenta.*



*Nepakļaujiet instrumentu lietus iedarbībai.*



*Maks. temperatūra: 40° C.*



*Akumulatoru nedrīkst novietot ugunī.*



*Akumulatoru nedrīkst iegremdēt ūdenī.*



*Nododot instrumentu atkritumos, neievietojiet to nepiemērotās tvertnēs.*



*Litija jonu akumulatoru dalīta savākšana.*



*Pirms tīrīšanas un apkopes instruments ir jāizslēdz un no tā jāizņem akumulators.*



*Instrumenti atbilst spēkā esošiem Eiropas direktīvu drošības standartiem.*

### **Papildu drošības noteikumi lapu pūtējiem/ savācējiem**

- Rūpējieties, lai darba zona būtu tīra un kārtīga. Elektroinstrumentus nedrīkst pakļaut lietus vai mitru laika apstākļu iedarbībai.
- Lietojot šo instrumentu, stingri ieteicams izmantot noplūdstrāvas aizsargierīci ar atvienošanas strāvu, kas nav lielāka par 30 mA.
- Nelietojiet elektroinstrumentus vietā, kur pastāv ugunsgrēka vai sprādziena risks, t. i., viegli uzliesmojošu šķidrumu vai gāzu tuvumā.
- Neļaujiet citām personām, it īpaši bērniem vai dzīvniekiem, atrasties darba zonā.
- Neļaujiet bērniem vai citām personām aiztikt elektroinstrumentus.
- Uzglabājiet instrumentu sausā, bērniem nepieejamā vietā.
- Vienmēr valkājiet aizsargbrilles. Ieteicams lietot arī ausu aizsargus.
- Valkājiet piemērotu apģērbu (garās bikses), kas nav pārāk brīvs, un nevalkājiet rotaslietas, kā arī raugieties, lai apģērbs nevarētu saskarties ar kustīgajām detaļām.
- Valkājiet aizsargapavus ar neslidošu zoli. Nevalkājiet sandales vai apavus ar vaļējiem purngaliem.
- Ja jums ir gari mati, sasieniet tos, lai neieķertos kustīgajās detaļās.
- Pirms darba ar elektroinstrumentu vispirms pārbaudiet, vai nav bojātu detaļu, — ja ir, nestrādājiet ar elektroinstrumentu, kamēr detaļas nav nomainītas pret jaunām.
- Nelietojiet elektroinstrumentu, ja esat noguris vai alkohola reibumā.
- Strādājot nesniedzieties pārāk tālu — varat zaudēt līdzsvaru.
- Pēc darba pabeigšanas instruments jāizslēdz, nospiežot ieslēgšanas/izslēgšanas slēdzi.
- Lietojiet šo instrumentu tikai tam paredzētajam mērķim: lapu pūšanai vai savākšanai.
- Nevērsiet pūtēju pret cilvēkiem vai dzīvniekiem.
- Nepūtiet netīrumus tuvumā esošu personu vai dzīvnieku virzienā.
- Strādājiet ar instrumentu vienīgi dienas gaismā vai labā maksīgajā apgaismojumā.
- Nelieciet rokas pūtēja caurulē un maisā, kamēr pūtējs nav izslēgts un kontaktdakša atvienota no barošanas avota.
- Izmantojiet tikai tādu pagarinājuma vadu, kas paredzēts lietošanai ārpus telpām. Netuviniet vadu karstuma avotiem, eļļai, šķīdinātājiem un asām šķautnēm.
- Regulāri pārbaudiet, vai visas bultskrūves un skrūves ir pievilktas.
- Operators atbild par citām personām vai tām nodarītajiem materiālajiem zaudējumiem vai izraisītajiem negadījumiem.
- Lai nerastos putekļu kairinājums, ieteicams valkāt sejas masku.
- Vienmēr novirziet vadu uz aizmuguri prom no instrumenta.
- Nepārnēsājiet instrumentu, turot aiz vada.
- Atvienojiet instrumentu no barošanas avota.
- pirms aizsprostojuma novēršanas.
- pirms instrumenta pārbaudes, tīrīšanas vai citu darbu veikšanas;
- ja instruments sāk savādi vibrēt.
- vienmēr, kad atstājat instrumentu bez uzraudzības.

- Strādājot nogāzē, saglabājiet stabilu stāju.
- Vienmēr ejiet un nekādā gadījumā neskrieniet.
- Rūpējieties, lai visas dzesēšanas gaisa ieejas būtu vienmēr tīras un nebūtu aizsērējušas.
- Visiem uzgriežņiem, bultskrūvēm un skrūvēm jābūt cieši pievilkti, lai instruments būtu drošā darba stāvoklī.
- Regulāri pārbaudiet, vai netīrumu savācējs nav nodilis vai nolietojies.
- Nomainiet bojātās vai nolietotās detaļas.
- Lietojiet tikai oriģinālās rezerves daļas un piederumus.

#### Nekavējoties izslēdziet instrumentu, ja:

- Ogles sukas pārmērīgi dzirksteļo un savācējs ir aizsērējis.
- Barošanas vadā vai kontaktdakšā rodas pārrāvumi vai barošanas vads ir bojāts;
- Slēdzis ir bojāts.
- Apdegusi izolācija dūmo vai smako.

#### Papildu drošības norādījumi bezvadu lapu pūtējiem:

- Neuzlādējiet lapu pūtēju lietū vai mitros apstākļos.
- Nestrādājiet ar bezvadu lapu pūtēju lietū.
- Pirms lapu pūtēja remonta, apkopes, tīrīšanas vai atbrīvošanas no svešķermeņiem jāizņem vai jāatvieno akumulators.
- Akumulatoru nedrīkst sadedzināt. Akumulatora elementi var uzsprāgt. Skatiet vietējos normatīvos aktus, kuros var būt minēti īpaši norādījumi par nodošanu atkritumos.

#### Akumulatora ekspluatācija un apkope:

- Uzlādējiet tikai ar ražotāja noteikto lādētāju.** *Ja ar lādētāju, kas paredzēts vienam akumulatora veidam, tiek lādēts cita veida akumulators, var izcelties ugunsgrēks.*
- Lietojiet elektroinstrumentus tikai ar paredzētajiem akumulatoriem.** *Ja izmantojat citus akumulatorus, var rasties ievainojuma un ugunsgrēka risks.*
- Kamēr akumulators netiek izmantots, glabājiet to drošā attālumā no metāla priekšmetiem, piemēram, papīra saspraudēm, monētām, atslēgām, naglām, skrūvēm vai līdzīgiem maziem metāla priekšmetiem, kuri var savienot abas spaiļes.** *Saskaroties akumulatora spaiļēm, rodas īssavienojums, kas var izraisīt apdegumus vai ugunsgrēku.*

- Nepareizas lietošanas gadījumā šķidrums var iztecēt no akumulatora, nepieskarieties tam. Ja jūs nejausi pieskārāties šķidrumam, noskalojiet saskarsmes vietu ar ūdeni. Ja šķidrums nokļūst acīs, meklējiet arī medicīnisku palīdzību.** *Šķidrums, kas iztecējis no akumulatora, var izraisīt kairinājumu vai apdegumus.*

#### Apkalpošana:

- Elektroinstrumentam apkopi drīkst veikt tikai kvalificēts remonta speciālists, izmantojot tikai oriģinālās rezerves daļas.** *Tādējādi tiek saglabāta elektroinstrumenta drošība.*

#### Lādētājs Paredzētā lietošana:

Uzlādējiet tikai maks. CDA1106 20 V, 2,0Ah litija jonu vairākkārt uzlādējamus akumulatorus. Cita veida akumulatori var eksplodēt, izraisot ievainojumus un sabojājot instrumentu.

- Šo instrumentu nav paredzēts ekspluatēt personām (tostarp bērniem), kam ir ierobežotas fiziskās, sensorās vai psihiskās spējas vai trūkst pieredzes un zināšanu, ja vien tās neuzrauga vai neapmāca.
- Bērni ir jāuzrauga, lai viņi nespēlētos ar instrumentu.
- Nedrīkst atkārtoti uzlādēt vienreiz lietojamus akumulatorus!
- Akumulators uzlādes laikā jānovieto labi vēdinātā vietā.

#### Atlikušie riski:

Pat tad, ja elektroinstrumentu lieto atbilstīgi norādījumiem, nav iespējams novērst visus atlikušo risku faktoros. Saistībā ar elektroinstrumenta konstrukciju un uzbūvi var pastāvēt šādi riski:

- Kaitējums veselībai vibrācijas iedarbības rezultātā, ja elektroinstrumentu ilgstoši ekspluatē, ja ar to nepareizi apietas vai ja tam neveic pienācīgu apkopi;
- Ievainojumi un īpašuma bojājumi salūzušu piederumu dēļ, kuri negaidot tiek izsviesti gaisā.



**Brīdinājums!** Šis elektroinstruments darba laikā rada elektromagnētisko lauku. Dažos gadījumos šis lauks var iedarboties uz aktīviem un pasīviem medicīniskajiem implantiem. Lai mazinātu smaga vai nāvējoša ievainojuma risku, personām, kam ir medicīniskie implantī, pirms šī elektroinstrumenta lietošanas ir ieteicams konsultēties ar ārstu un medicīniskā implanta ražotāju.

### Elektriskā drošība

Lai samazinātu ugunsgrēka izcelšanās, elektriskās strāvas trieciena un individuālās traumas risku, lietojot elektriskās mašīnas, ievērojiet jūsu valstī pielietojamos drošības noteikumus. Izlasiet zemāk dotās drošības instrukcijas, kā arī pievienotās drošības instrukcijas.



Vienmēr pārbaudiet, vai elektriskā tīkla parametri vietā, kur tiek pieslēgta iekārta, sakrīt ar parametriem uz iekārtas datu plāksnītes.



II klases instruments – dubulta izolācija – kontaktakša ar iezemējumu nav vajadzīga

- Vibrāciju iedarbība var būt ievērojami lielāka, ja instrumentu lieto citu darbu veikšanai, ja tam uzstāda citus piederumus vai ja uzstādītajiem piederumiem nav veikta pietiekami laba apkope.
- Vibrācijas iedarbība var būt ievērojami mazāka tajā laikā, kad instruments ir izslēgts vai darbojas tukšgaitā.

Pasargājiet sevi no vibrācijas iedarbības, veicot instrumenta un piederumu apkopi, rūpējoties, lai rokas būtu siltas un organizējot darba gaitu.

### Apraksts

Tekstā norādītie numuri attiecas uz 2. lpp. redzamajiem attēliem.

#### A, B, C. att.

1. Akumulators
2. Akumulatora atbloķēšanas poga
3. Akumulatora uzlādes indikators
4. Lādētājs
5. Ādētāja gaismas diožu indikatori
6. Ieslēgšanas/izslēgšanas slēdzis
7. Augšējā caurule
8. Apakšējā caurule

## 2. INSTRUMENTA DATI

### Tehniskie dati

Akumulators	CDA1106
Lādētājs	CDA1107
Lādētāja ieejas jauda	220-240V~ 50/60Hz 1,2A
Lādētāja izejas jauda	21V DC, 2,2A
Akumulatora uzlādēšanas laiks	60 min
Ātrums bez noslodzes	13000 rpm
Maks. pūtēja gaisa plūsmas ātrums	180 km/h
Maks. gaisa apjoms	5 m <sup>3</sup> /min
Svars (ar akumulatoru)	1,9 kg
Skaņas spiediena līmenis LPA	76,3 dB(A) K=3 dB(A)
Skaņas jaudas līmenis LWA	84,7 dB(A) K=3 dB(A)
Vibrāciju vērtība	1370 m/s <sup>2</sup> K=1,5 m/s <sup>2</sup>

### Vibrāciju līmenis

Šajā lietošanas rokasgrāmatā norādītā vibrāciju emisijas vērtība ir izmērīta saskaņā ar standarta pārbaudes metodi, kas norādīta EN 60745, un to var izmantot viena instrumenta salīdzināšanai ar citu un tam, lai iepriekš novērtētu vibrācijas iedarbību, ja instrumentu lieto iepriekš minēto darbu veikšanai.

## 3. EKSPLUATĀCIJA



Akumulators ir jāuzlādē pirms to lieto pirmoreiz.

### Akumulatora izņemšana no instrumenta C1. att.

- Ar vienu roku cieši turiet instrumentu.
- Ar vienu roku spiediet akumulatora atbloķēšanas pogu (2), kas atrodas akumulatora (1) aizmugurē.
- Turiet nospiestu šo pogu (2) un stumiet akumulatoru atpakaļ ārā no instrumenta, kā norādīts C1. attēlā.

### Akumulatora ievietošana instrumentā C1. att.



Pirms akumulatora pievienošanas lādētājam vai ievietošanas instrumentā pārbaudiet, vai tā ārējā virsma ir tīra un sausa.



- Ar vienu roku cieši turiet instrumentu.
- Ievietojiet akumulatoru (1) instrumenta pamatnē.
- Spiediet akumulatoru dziļāk iekšā, līdz tas Nofiksējas.

### Akumulatora uzlādes stāvokļa pārbaude

#### C3. att.



*Komplektācijā esošais akumulators tiek piegādāts daļēji uzlādētā stāvoklī.*

- Lai pārbaudītu akumulatora uzlādes statusu, īsi nospiediet akumulatora (1) pogu (3).
- Akumulatoram ir 3 gaismas diodes, kas liecina par uzlādes stāvokli - jo vairāk diožu deg, jo vairāk jaudas ir atlicis akumulatorā.

### Akumulatora uzlādēšana

#### C2. att.

- Izņemiet akumulatoru (1) no instrumenta.
- Apvēršiet akumulatoru (1) otrādi un iespiediet to lādētājā (4), kā norādīts C2. attēlā.
- Spiediet akumulatoru (1) iekšā, līdz tas ir pilnībā ir iespiests instrumentā.
- Pievienojiet lādētāju (4) elektriskajai kontaktligzdai un brīdi nogaidiet. Iedegas lādētāja (4) gaismas diožu indikatorlampiņa (5), norādot, ka notiek uzlādēšana.

### Uzlādes indikatorlampiņa

#### C2. att.

Lādētājam ir uzlādes indikatorlampiņa (5), kas norāda uzlādes procesa statusu:

#### Gaismas diožu krāsa Statuss

Sarkana	Akumulators tiek uzlādēts
Zaļa	Akumulatora uzlāde ir pabeigta, akumulators ir pilnībā uzlādēts

- Akumulatora pilnīga uzlādēšana var ilgt 1 stundu.
- Kad akumulators ir pilnībā uzlādēts, atvienojiet lādētāju no barošanas avota kontaktligzdas un izņemiet akumulatoru no lādētāja.
- Akumulatoru var novietot glabāšanā vai ievietot instrumentā.



*Litija jonu akumulatorus iespējams ilgstoši glabāt, nezaudējot daudz tā jaudas. Ja instruments netiek ilglaicīgi ekspluatēts, ieteicams glabāt akumulatoru uzlādētā stāvoklī.*

### Cauruļu salikšana

#### B. att.



*Pirms piederuma uzstādīšanas akumulators ir jānoņem.*

- Iestumiet augšējo cauruli (7) motora korpusā, līdz tā nofiksējas vietā.
- Iestumiet apakšējo cauruli (8) augšējā caurulē (7), līdz tā nofiksējas vietā.

### Instrumenta ieslēgšana un izslēgšana

#### A. att.

Instrumentus tiek iedarbināts ar ieslēgšanas/izslēgšanas slēdzi (5). Sagatavojieties darbam, stāviet līdzsvarā un nospiediet ieslēgšanas/izslēgšanas slēdzi (5), lai iedarbinātu instrumentu. Nospiediet slēdzi vēlreiz, lai izslēgtu instrumentu.

## 4. APKOPE



*Pirms tīrīšanas un apkopes instruments ir jāizslēdz un no tā jāizņem akumulators.*

Ar mīkstu lupatiņu regulāri - ieteicams, pēc katras ekspluatācijas reizes - iztīriet instrumenta korpusu. Regulāri iztīriet putekļus un netīrumus no ventilācijas atverēm. Ļoti noturīgus traipus tīriet ar ziepjūdeni samērcētu mīkstu lupatiņu. Nelietojiet nekādus šķīdumus, piemēram, benzīnu, spirtu, amonjaku, u.c. Šāda veida ķīmiskās vielas sabojās sintētiskās detaļas.

## APKĀRTĒJĀ VIDE



*Bojāta un/vai nolietota elektriskā vai elektroniskā aparatūra jānogādā piemērotā utilizācijas centrā.*

### Tikai EK valstīm

Neizmetiet elektroinstrumentus sadzīves atkritumos. Saskaņā ar Eiropas Direktīvu 2012/19/EK par elektrisko un elektronisko iekārtu atkritumiem un īstenojot to saskaņā ar valsts tiesību aktiem, visi elektroinstrumenti, kam beidzies ekspluatācijas laiks, jāsavāc atsevišķi un jānodod videi nekaitīgā pārstrādes iekārtā.



## GARANTIJA

Garantijas nosacījumi ir izklāstīti atsevišķā garantijas kartē, kas pievienota šai rokasgrāmatai.

**Instruments var tikt pārveidots un lietošanas rokasgrāmata var tikt izdarīti grozījumi. Tehniskie dati var tikt mainīti bez iepriekšēja brīdinājuma.**

## AKUTOITEGA LEHEPUHUR LBM1010

### Tānāme, et otsite Fermi toote.

Nüüd on teil suurepärane toode, mille tootjaks on juhtiv Euroopa firma. Kõik Fermi tooted on toodetud vastavuses kõrgeimate jõudlus- ja ohutusnõuetega. Muu hulgas on meie põhimõte pakkuda ka suurepäraselt klienditeenindust, mille kindlustab meie põhjalik garantii. Loodame, et naudite selle toote kasutamist palju aastaid.



*Lugege tootega kaasas olevat ohutusteavet, täiendavat ohutusteavet ja juhiseid. Ohutusteabe ja juhiste mittejärgimise tagajärjeks võib olla elektrilööök, tulekahju ja/või tõsine vigastus. Hoidke ohutusteave ja juhised alati käepärast.*

### Ettenähtud otstarve

Lehepuhurid on mõeldud lehtede eemaldamiseks tänavalt, aiast ja murust. Lehepuhuri sees olev ventilaator tekitab õhuvoolu, mida saab kasutada lehtede puhumiseks.

## 1. OHUTUSTEAVE

Kasutusjuhendis või tootel kasutatakse järgmisi sümboleid:



*Lugege kasutusjuhendit.*



*Kõik masinaga seotud vigastus-, surmajuhtumite riskid võivad tekkida, kui ei jälgita seda kasutusjuhendit.*



*Elektrilöögioht.*



*Kasutage kuulmiskaitsevahendeid. Kandke silmade kaitset.*



*Oht - hoidke käed liikuvatest osadest eemal.*



Jälgige, et õhku paiskuvad esemed ei tabaks juuresviibijaid. Hoidke juuresviibijad seadmest ohutus kauguses.



Ärge hoidke seadet vihma käes.



Kõrgeim lubatud temperatuur 40°C.



Ärge visake akusid lahtisesse tulle.



Ärge visake akut vette.



Ärge hoidke toodet selleks ebasobivas kohas.



Seadme akud tuleb utiliseerida vastavalt nõuetele.



Enne puhastamist ja hooldamist lülitage masin alati välja ning eemaldage toitejuhe vooluvõrgust.



Toode on vastavuses Euroopa Liidu direktiivides sätestatud asjakohaste ohutusnõuetega.

#### Täiendavad hoiatused puhurite/imurite kohta

- Hoidke tööpiirkond puhas ja korras. Ärge kasutage elektritööriistu vihma käes ega niiskes keskkonnas.
- Soovitame selle seadmega töötamisel kasutada alla 30 mA rikkevoolukaitsmega pistikupesa.
- Ärge kasutage elektritööriistu tule- või plahvatusohtlikes tingimustes, nt kergestisüttivate vedelike või gaaside läheduses.
- Ärge lubage tööpiirkonda inimesi, eriti lapsi ja lemmikloomi.
- Ärge laske lastel ega teistel inimestel elektritööriistu puudutada.
- Hoidke seadet kuivas ja lastele kättesaamatus kohas.
- Kandke alati kaitseprille. Samuti soovitame kasutada kõrvaklappe või -trophe.
- Kandke sobivaid rõivaid (pikad püksid) - mitte laiu riideid ega ethteid - ning veenduge, et rõivad ei puutuks kokku liikuvate osadega.
- Kandke mittelibisevaid jalatseid. Ärge kandke sandaale ega lahtise varbaosaga kingi.
- Kui teil on pikad juuksed, pange need korralikult soengusse, et need liikuvate osade vahele ei jääks.
- Enne elektritööriistade kasutamist kontrollige kõigepealt, et kõik osad oleksid terved. Kahjustuste korral ärge kasutage tööriistu enne, kui kahjustatud osa või osad on välja vahetatud.
- Ärge kasutage elektritööriistu, kui olete väsinud või alkoholi tarvitanud.
- Ärge küünitage töötamise ajal, muidu võite kaotada tasakaalu.
- Pärast kasutamist tuleb tööriist toitelülitist välja lülitada.
- Kasutage seadet ainult ettenähtud otstarbel - lehtede puhumiseks või imemiseks.
- Ärge suunake puhurit inimeste ega loomade poole.
- Ärge puhuge prahti inimeste ega loomade suunas.
- Kasutage seadet ainult päevalgel või hea kunstliku valgustuse korral.
- Ärge pistke kätt puhuri torusse ega kotti enne, kui puhur on välja lülitatud ja pistik pistikupesast eemaldatud.
- Kasutage ainult välitingimustes sobivaid pikendusjuhtmeid. Juhet tuleb kaitsta liigse kuumuse, õli, lahustite ja teravate servade eest.
- Kontrollige korrapäraselt, kas kõik poldid ja kruvid on korralikult kinni.
- Õnnetusjuhtumite ja teistele inimestele või nende varale tekitatud kahju eest vastutab seadme kasutaja.
- Tolmuärrituse vältimiseks soovitame kanda näomaski.
- Toitejuhe peab alati jääma seadme taha.
- Seadet kandes ärge hoidke seda toitejuhtmest.
- Eemaldage seadme pistik vooluvõrgust järgmistel juhtudel.
- Enne ummistuse kõrvaldamist.
- Enne seadme kontrollimist, puhastamist või hooldamist.
- Kui seade hakkab ebataavaliselt vibreerima.
- Alati, kui te seadme juurest lahkute.
- Seiske kallakutel alati kindlalt jalgal.
- Kõndige, ärge jookske.
- Hoolitsege, et ventilatsioonivõrg ei oleks prahti ega ummistusi.

- Kandke hoolt, et kõik mutrid, poldid ja kruvid oleksid kindlalt kinni ja et seade oleks töökorras.
- Kontrollige sageli koguri seisukorda ja kulumisastet.
- Asendage kulunud või kahjustunud osad.
- Kasutage ainult originaalvaruosi ja -tarvikuid.

### Järgmistel juhtudel lülitage seade kohe välja

- Süsiharjade ülemäärane sädelemine ja koguri ummistumine.
- Võrgupistik või toitejuhe tuleb lahti või saab viga.
- Lülitid defekt.
- Tekib suits või hais, mis viitab isolatsiooni kõrbemisele.

### Täiendavad ohutusnõuded akutoitega lehepuhuri kasutamisel

- Ärge laadige lehepuhurit vihma käes ega niiskes keskkonnas.
- Ärge kasutage akutoitega lehepuhurit vihma käes.
- Enne lehepuhuri hooldamist, puhastamist või ummistuse kõrvaldamist eemaldage või ühendage lahti aku.
- Ärge visake akusid tulle. Akuelement võib plahvatada. Jäätmete kõrvaldamisega seotud võimalike erijuhiste saamiseks tutvuge kohalike eeskirjadega.

### Akutoitega tööriista kasutamine ja hooldus

- Laadige akusid ainult tootja poolt ette nähtud laadijaga.** Kindlat tüüpi akude laadimiseks ettenähtud laadija kasutamine muud tüüpi akude laadimiseks võib tekitada tulekahju ohu.
- Kasutage elektrilisi tööriistu ainult spetsiaalselt neile ettenähtud akudega.** Teistsuguste akude kasutamine võib põhjustada vigastuse või tulekahju ohu.
- Kui akut ei kasutata, hoidke see eemal teistest metallesemetest, nt kirjaklambrid, mündid, võtmed, nõelad, kruvid või muud metallesemed, mis võivad luua ühenduse ühest terminalist teise.** Aku klemmide lühis võib põhjustada põletusi või tulekahju.
- Teatud tingimustel võib akust vedelik välja voolata, vältige kokkupuudet. Kui kokkupuude siiski tahtmatult toimub, loputage kokkupuutunud kohta veega. Kui**

### vedelik satub silma, pöörduge arsti poole.

*Akust väljavoolanud vedelik võib põhjustada ärritust või põletusi.*

### Teenindus

- Laske elektritööriista hooldada kvalifitseeritud remonditehnikul, kes kasutab ainult identseid varuosi.** See tagab elektritööriista jätkuva ohutuse

### Laadija

#### Ettenähtud otstarve

Laadige ainult CDA1106 20 V max 2,0 Ah laetavad liitiumioonakusid. Teist tüüpi akud võivad plahvatada ning põhjustada kehavigastusi ja kahjusid.

- Seadet ei tohi kasutada piiratud füüsiliste, tajumis- või vaimsete võimete inimesed (sh lapsed) või ilma asjakohaste kogemuste ja teadmistega inimesed, välja arvatud juhul, kui neid jälgib või juhendab nende ohutuse eest vastutav isik.**
- Lapsi tuleb jälgida, et nad seadmega ei mängiks.**
- Ärge laadige mitteleetavaid patareisi!
- Laadimise ajal tuleb akud asetada hästi ventileeritavasse kohta!

### Muud ohud

Isegi kui elektriseadet kasutatakse tootja juhiste kohaselt, ei ole võimalik vältida kõiki ohutegureid. Elektritööriista ehituse ja disainiga seoses võivad esineda järgmised ohud.

- Vibratsioonist põhjustatud tervisekahju tööriista pikaaegse kasutamise või korralikult hooldamata tööriista kasutamise tagajärjel.
- vigastused ja varaline kahju ootamatute kokkupõrgete tagajärjel purunenud tarvikute tõttu.



**Hoiatus!** See elektritööriist tekitab töötamise ajal elektromagnetvälja. See väli võib teatud tingimustel häirida aktiivseid või passiivseid meditsiinilisi implantaate. Et vähendada raskete või surmaga lõppevate vigastuste ohtu, soovime meditsiiniliste implantaatidega inimestel enne selle elektritööriista kasutamist pidada nõu arsti ja meditsiiniliste implantaatide tootjaga.

## Elektriohutus

Kasutades elektrilisi masinaid, jälgige alati ohutusnõudeid, mis vastavad teie riigi regulatsioonidega, et vältida tule, elektrilise šoki ja vigastuste riski. Järgige järgnevaid ning kõrvalolevaid ohutusnõudeid.



*Alati veenduge, et toiteallika pinge vastaks freesi andmesildil toodud pingele.*



*Seade vastab Ohutusklassile number II. Ei vaja täiendavat isoleerimist.*

## 2. MASINA ÜLEVADE

### Tehnilised andmed

Aku	CDA1106
Laadija	CDA1107
Laadja sisend	220-240V~ 50/60Hz 1.2A
Laadija väljund	21V DC, 2.2A
Laadimisaeg	60 min
Tühijooksukiirus	1.300/min
Puhuri maksimaalne kiirus	180 km/h
Õhu maksimaalne maht	12,7 mm
Kaal (koos akuga)	5 m³/min
LpA (helirõhk)	76.3 dB(A) K=3 dB(A)
LwA (helitugevus)	84.7 dB(A) K=3 dB(A)
Vibratsioon	1.370 m/s² K=1.5 m/s²

### Vibratsioonitase

Käesoleva juhendi tagakaanel nimetatud tekkiva vibratsiooni tase on mõõdetud vastavalt standardis EN 60745 kirjeldatud standarditud testile; seda võib kasutada ühe tööriista võrdlemiseks teisega ja vibratsiooni mõju esialgseks hindamiseks märgitud rakenduste jaoks kasutatavate tööriistade käitamisel

- tööriista kasutamine muudeks rakendusteks või teiste/halvasti hooldatud tarvikute kasutamisel võib ekspositsioonitase märkimisväärselt suurened.
- ajal, kui tööriist on väljalülitatud või on küll sisselülitatud, kuid tegelikult seda ei kasutata, võib ekspositsioonitase märkimisväärselt väheneda.

Kaitske ennast vibratsiooni toime eest, hooldades tööriista ja selle tarvikuid, hoides oma käed soojad ja organiseerides hästi oma töövõtteid.

## Kirjeldus

Tekstis olevad numbrid viitavad lehtedel 2 esitatud joonistele.

### Joonised A, B ja C

1. Aku
2. Aku vabastusnupp
3. Aku laadimisnäidik
4. Laadija
5. Laadija märgutuled
6. Toitelüliti
7. Ülemine toru
8. Alumine toru

## 3. KASUTAMINE



*Enne esmakordset kasutamist tuleb seadet laadida.*

### Aku eemaldamine seadmest

#### Joonis C1

- Hoidke seadet kindlalt ühe käega.
- Vajutage teise käega aku (1) tagaküljel asuv aku vabastusnupp (2) alla.
- Hoidke vabastusnuppu (2) jätkuvalt all ja lükake aku tahapoole seadmest välja, nagu näidatud joonisel C1.

### Aku paigaldamine seadmesse

#### Joonis C1



*Enne laadija või seadmega ühendamist veenduge, et aku välispind oleks puhas ja kuiv.*

- Hoidke seadet kindlalt ühe käega.
- Asetage aku (1) seadme alumisele küljele.
- Lükake akut edasi, kuni see klõpsatusega kohale asetub.

### Aku laetuse taseme kontrollimine

#### Joonis C3



*Komplekti kuuluv aku tarnitakse osaliselt laetud olekus.*

- Aku laetuse taseme kontrollimiseks vajutage korraks aku (1) nuppu (3).

- Akul on 3 märgutuld, mis näitavad laetuse taset. Mida rohkem tulesid põleb, seda kauem saab akut veel kasutada.

### Aku laadimine

#### Joonis C2

- Võtke aku (1) seadmest välja.
- Keerake aku (1) tagurpidi ja lükake see laadijasse (4), nagu näidatud joonisel C2.
- Lükake aku (1) lõpuni pesasse.
- Ühendage laadija (4) vooluvõrku ja oodake veidi. Laadija (4) märgutuli (5) süttib ja näitab laadimise olekut.

### Laadimise märgutuli

#### Joonis C2

Laadijal on laadimise märgutuli (5), mis näitab laadimise olekut:

#### LED color Olek

Punane	Akut laetakse
Roheline	Laadimine lõppenud, aku on saanud täis

- Aku täielikuks laadimiseks võib kuluda kuni 1 tund.
- Pärast aku täielikku laadimist eemaldage laadija pistik pistikupesast ja võtke aku laadijast välja.
- Aku võib hoiule panna või kohe seadmesse paigaldada.



*Liitiumioonakusid saab pikka aega säilitada, ilma et need oluliselt tühjeneksid. Kui seadet pikema aja jooksul ei kasutata, on kõige parem hoida akut laetud olekus.*

### Torude kokkupanemine

#### Joonis B



*Enne lisaseadme paigaldamist eemaldage alati aku.*

- Lükake ülemine toru (7) mootori korpuse külge, kuni see klõpsatusega kohale asetub.
- Lükake alumine toru (8) kindlalt ülemise toru (7) otsa, kuni see klõpsatusega kohale asetub.

### Seadme sisse- ja väljalülitamine

#### Joonis A

Seadme aktiveerimiseks kasutatakse toitelülitit (5). Kui olete valmis ja seisate kindlalt jalgel, vajutage toitelülitit (5) ning seade käivitub. Väljalülitamiseks vajutage nuppu uuesti.

## 4. HOOLDUS



*Enne puhastamist ja hooldamist lülitage masin alati välja ning eemaldage toitejuhe vooluvõrgust.*

Puhastage seadme korpust korrapäraselt pehme lapiga, soovitatavalt pärast iga kasutuskorda. Veenduge, et ventilatsioonivad ei oleks tolmused ega määrdunud. Tõrksa mustuse eemaldamiseks kasutage seebivahtu ja pehmet lappi. Mingil juhul ei tohi kasutada lahusteid, nagu bensiin, alkohol, nuuskpiiritus vms. Sellised kemikaalid võivad kahjustada sünteetilisi komponente.

## KESKKOND



*Vigased ja/või eemaldatud elektroonika või elektroonilised osad tuleks kokku koguda sobivasse ümbertöötlemiskohta.*

### Euroopa Ühenduse riigid

Ärge visake elektritööriistu olmeprügi hulka. Vastavalt Euroopa Parlamendi ja nõukogu direktiivile 2012/19/EU elektri- ja elektroonikaseadmete jäätmete kohta ning vastavalt seda direktiivi rakendavatele riiklikele õigusaktidele tuleb kasutuskõlbmatud elektritööriistad koguda teistest jäätmetest eraldi ning kõrvaldada kasutusest keskkonnasõbralikul viisil.

## GARANTII

Garantiikaardi tingimused võib leida eraldi kaasasolevalt garantiikaardilt.

**Toodet ja kasutusjuhendit võidakse muuta. Spetsifikatsioonid võidakse muuta ilma eelneva etteteatamiseta.**





---

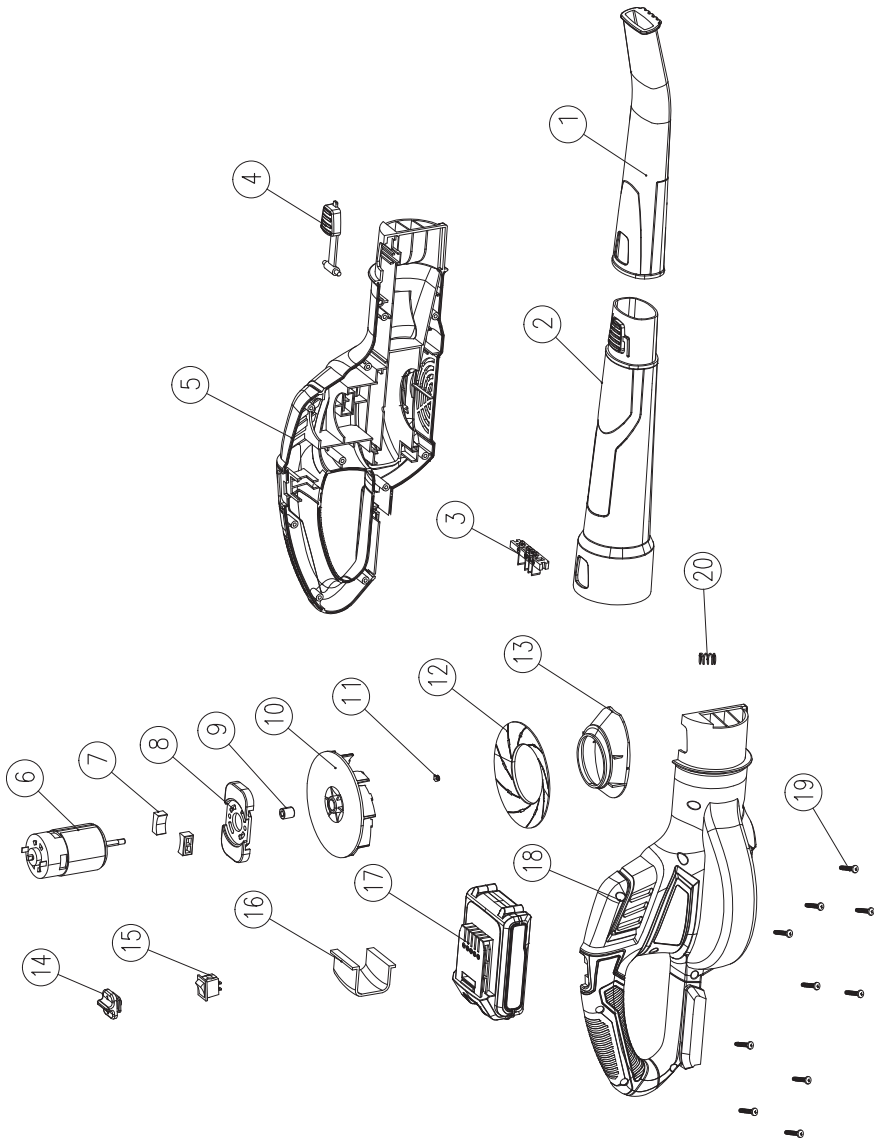
***Spare parts list***

**LBM1010**

<b>Article No.</b>	<b>Description</b>	<b>Position No.</b>
410832	Switch	15
CDA1106	Li-Ion Battery 20V - 2.0Ah	
CDA1107	Fast charger	



**Exploded view**







## DECLARATION OF CONFORMITY LBM1010 - CORDLESS LEAF BLOWER

- (EN) We declare under our sole responsibility that this product is in conformity with directive 2011/65/EU of the European parliament and of the council of 8 June on the restriction of the use of certain hazardous substances in electrical and electronic equipment is in conformity and accordance with the following standards and regulations:
- (DE) Der Hersteller erklärt eigenverantwortlich, dass dieses Produkt der Direktive 2011/65/EU des Europäischen Parlaments und des Rats vom 8. Juni 2011 über die Einschränkung der Anwendung von bestimmten gefährlichen Stoffen in elektrischen und elektronischen Geräten entspricht. den folgenden Standards und Vorschriften entspricht:
- (NL) Wij verklaren onder onze volledige verantwoordelijkheid dat dit product voldoet aan de conform Richtlijn 2011/65/EU van het Europees Parlement en de Raad van 8 juni 2011 betreffende beperking van het gebruik van bepaalde gevaarlijke stoffen in elektrische en elektronische apparatuur en in overeenstemming is met de volgende standaarden en reguleringen:
- (FR) Nous déclarons sous notre seule responsabilité que ce produit est conforme aux standards et directives suivants: est conforme à la Directive 2011/65/UE du Parlement Européen et du Conseil du 8 juin 2011 concernant la limitation d'usage de certaines substances dangereuses dans l'équipement électrique et électronique.
- (ES) Declaramos bajo nuestra exclusiva responsabilidad que este producto cumple con las siguientes normas y estándares de funcionamiento: se encuentra conforme con la Directiva 2011/65/UE del Parlamento Europeo y del Consejo de 8 de junio de 2011 sobre la restricción del uso de determinadas sustancias peligrosas en los equipos eléctricos y electrónicos.
- (PT) Declaramos por nossa total responsabilidade de que este produto está em conformidade e cumpre as normas e regulamentações que se seguem: está em conformidade com a Directiva 2011/65/UE do Parlamento Europeu e com o Conselho de 8 de Junho de 2011 no que respeita à restrição de utilização de determinadas substâncias perigosas existentes em equipamento eléctrico e electrónico.
- (IT) Dichiariamo, sotto la nostra responsabilità, che questo prodotto è conforme alle normative e ai regolamenti seguenti: è conforme alla Direttiva 2011/65/UE del Parlamento Europeo e del Consiglio dell'8 giugno 2011 sulla limitazione dell'uso di determinate sostanze pericolose nelle apparecchiature elettriche ed elettroniche.
- (SV) Vi garanterar på eget ansvar att denna produkt uppfyller och följer följande standarder och bestämmelser: uppfyller direktiv 2011/65/EU från Europeiska parlamentet och EG-rådet från den 8 juni 2011 om begränsningen av användning av farliga substanser i elektrisk och elektronisk utrustning.
- (FI) Vakuutamme yksinomaan omalla vastuullamme, että tämä tuote täyttää seuraavat standardit ja säädokset: täyttää Euroopan parlamentin ja neuvoston 8. kesäkuuta 2011 päivätyn direktiivin 2011/65/EU vaatimukset koskien vaarallisten aineiden käytön rajoitusta sähkö- ja elektroniikassa laitteissa.
- (NO) Vi erklærer under vårt eget ansvar at dette produktet er i samsvar med følgende standarder og regler: er i samsvar med EU-direktivet 2011/65/EU fra Europa-parlamentet og Europa-rådet, pr. 8 juni 2011, om begrensning i bruken av visse farlige stoffer i elektrisk og elektronisk utstyr.
- (DA) Vi erklærer under eget ansvar, at dette produkt er i overensstemmelse med følgende standarder og bestemmelser: er i overensstemmelse med direktiv 2011/65/UE fra Europa-Parlamentet og Rådet af 8. juni 2011 om begrænsning af anvendelsen af visse farlige stoffer i elektrisk og elektronisk udstyr.
- (HU) Felelősségünk teljes tudatában kijelentjük, hogy ez a termék teljes mértékben megfelel az alábbi szabványoknak és előírásoknak: je v soulade s sméřnicu 2011/65/EU Evropského parlamentu a Rady EU ze dne 8. června 2011, která se týká omezení použití určitých nebezpečných látek v elektrických a elektronických zařizzeních.
- (CS) Na naši vlastní zodpovědnost prohlašujeme, že je tento výrobek v souladu s následujícími standardy a normami: Je v sůlade s normou 2011/65/EU Európskeho parlamentu a Rady z 8. júna 2011 týkajúcej sa obmedzenia používania určitých nebezpečných látok v elektrickom a elektronickom vybavení.
- (SK) Vyhlasujeme na našu výhradnú zodpovednosť, že tento výrobok je v zhode a sůlade s nasledujúcimi normami a predpismi: Je v sůlade s normou 2011/65/EU Európskeho parlamentu a Rady z 8. júna 2011 týkajúcej sa obmedzenia používania určitých nebezpečných látok v elektrickom a elektronickom vybavení.
- (SL) S polno odgovornostjo izjavljamo, da je ta izdelek v skladu in da odgovarja naslednjim standardom ter predpisom: je v skladu z direktivo 2011/65/EU Evropskega parlamenta in Sveta z dne 8. junij 2011 o omejevanju uporabe določenih nevarnih snovi v električni in elektronski opremi.
- (PL) Deklarujemy na własną odpowiedzialność, że ten produkt spełnia wymogi zawarte w następujących normach i przepisach: jest zgodny z Dyrektywą 2011/65/UE Parlamentu Europejskiego i Rady z dnia 8 czerwca 2011 r. w sprawie ograniczenia stosowania niektórych niebezpiecznych substancji w sprzęcie elektrycznym i elektronicznym.
- (LT) Prisiimdami visą atsakomybę deklaruojame, kad šis gaminys atitinka žemiau paminėtus standartus arba nuostatus: atitinka 2011 m. birželio 8 d. Europos Parlamento ir Tarybos direktyvą 2011/65/EB dėl tam tikrų pavojingų medžiagų naudojimo elektros ir elektroninėje įrangoje atbimoju.
- (LV) Ir atbilstoša Eiropas Parlamenta un Padomes 2011. gada 8. jūnija Direktīvai 2011/65/ES par dažu bīstamu vielu izmantošanas ierobežošanu elektriskās iekārtās.
- (ET) Aggályojom ar visu atbıldību, ka šis produkt is saskanaņ ar atbilst sekojošiem standartiem n nolikumiem: ir atbilstoša Eiropas Parlamenta un Padomes 2011. gada 8. jūnija Direktīvai 2011/65/ES par dažu bīstamu vielu izmantošanas ierobežošanu elektriskās iekārtās.
- (RO) Declaram prin aceasta cu răspundere deplină că produsul acesta este în conformitate cu următoarele standarde sau directive: este în conformitate cu Directiva 2011/65/UE a Parlamentului European și a Consiliului din 8 iunie 2011 cu privire la interzicerea utilizării anumitor substanțe periculoase la echipamentele electrice și electronice.
- (HR) Izjavljujemo pod vlastitom odgovornošću da je strojem ukladan sa slijedećim standardima ili standardiziranim dokumentima i u skladu sa odredbama: usklađeno sa Direktivom 2011/65/EU Evropskog parlamenta i vijeća izdanom 8. lipnja 2011. o ograničenju korištenja određenih opasnih tvari u električnoj i elektroničkoj opremi.
- (SRL) Pod punom odgovornošću izjavljujemo da je usaglašen sa slijedećim standardima ili normama: usaglašen sa direktivom 2011/65/EU Evropskog parlamenta i Saveta od 8 juna 2011. godine za restrikciju upotrebe određenih opasnih materija u električnoj i elektroničkoj opremi.
- (RU) Под свою ответственность заявляем, что данное изделие соответствует следующим стандартам и нормам: соответствует требованиям Директивы 2011/65/ЕU Европейского парламента и совета от 8 июня 2011 г. по ограничению использования определенных опасных веществ в электрическом и электронном оборудовании
- (UK) Na svoju vlasnu відповідальність заявляємо, що дане обладнання відповідає наступним стандартам і нормативам: задовольняє вимоги Директиви 2011/65/EC Європейського Парламенту та Ради від 8 червня 2011 року на обмеження використання деяких небезпечних речовин в електричному та електронному обладнанні.
- (EL) Δηλώνουμε υπεύθυνα ότι το προϊόν αυτό συμμορφώνεται και τηρεί τους παρακάτω κανονισμούς και πρότυπα: συμμορφώνεται με την Οδηγία 2011/65/EE του Ευρωπαϊκού Κοινοβουλίου και του Συμβουλίου της 8ης Ιουνίου 2011 για τον περιορισμό της χρήσης ορισμένων επικίνδυνων ουσιών σε ηλεκτρικό και ηλεκτρονικό εξοπλισμό.
- (MK) Izjavuваме so naša celosna odgovornost deka proizvodod e vo согласност со Смерницата 2011/65/EU на Европскиот парламент и e во согласност според Советот од 9 јуни за ограничување на користење на одредени опасни супстанции во електричната и електронската опрема според следните стандарди и регулативи.

**EN 55014-1, EN 55014-2, EN 61000-3-2, EN 61000-3-3, EN 62233  
EN 60335-1, EN 60335-2-100, EN 60335-2-29,**

**2006/42/EC, 2011/65/EU, 2012/19/EU, 2014/35/EU, 2014/30/EU**

Zwolle, 01-07-2020

H.G.F Rosberg  
CEO FERM

**FERM - Lingenstraat 6 - 8028 PM - Zwolle - The Netherlands**

