

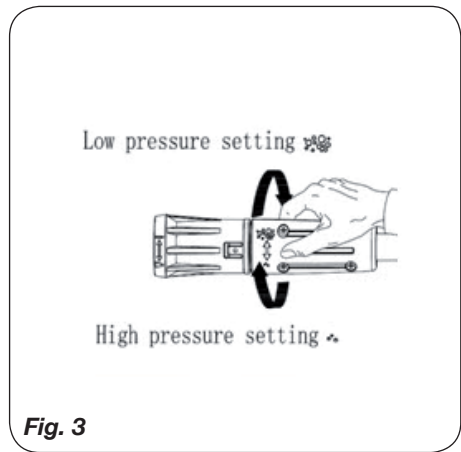
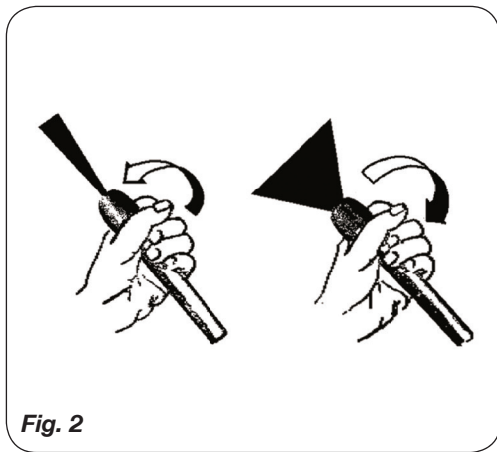
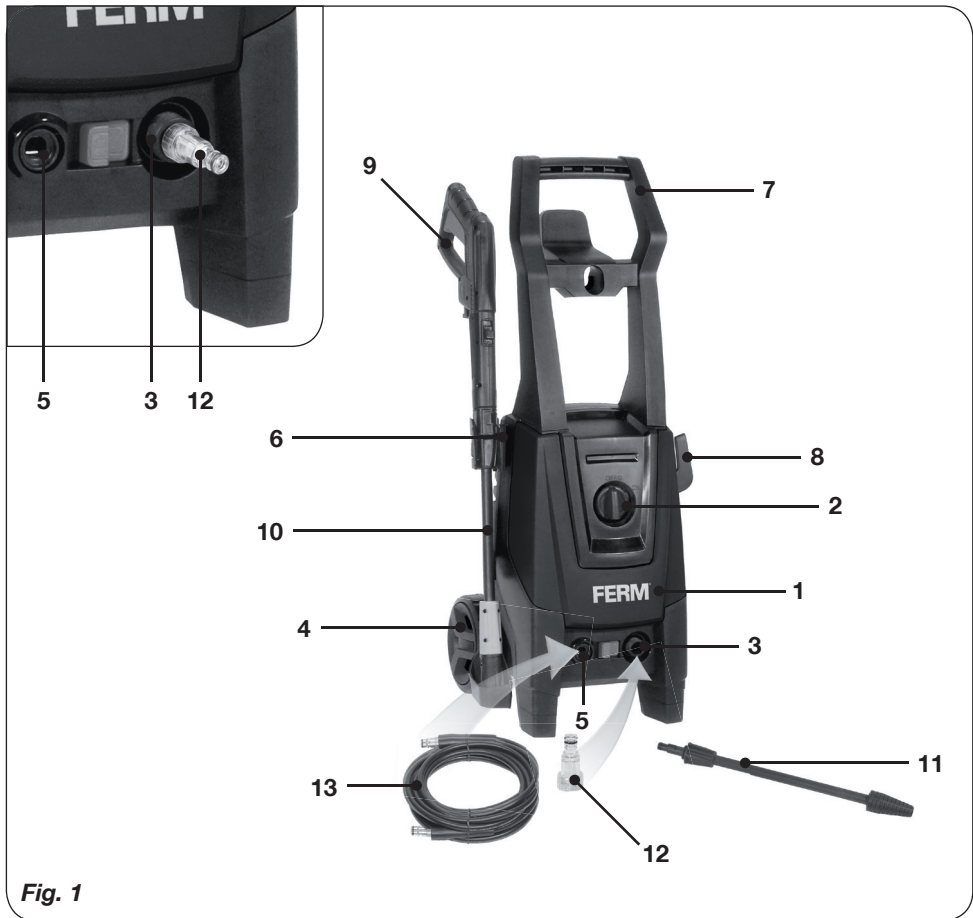
FERM®

POWER SINCE 1965



GRM1023

EN	Original instructions	03
FR	Traduction de la notice originale	09



HIGH PRESSURE CLEANER

The numbers in the text refer to the diagrams on page 2.



For your own safety and that of others, we recommend that you read this instruction manual carefully before using this machine. Keep this instruction manual and the documentation provided with the machine for future reference.

Introduction

The high pressure cleaner GRM1023 is quick and efficient for cleaning vehicles, machines, boats, buildings, etc., by the removal of persistent dirt using clean water and chemical detergents.

When using chemical detergents, only use biodegradable types. Only clean vehicle engines in areas in which suitable oil traps are installed.

Contents

1. Machine information
2. Safety instructions
3. Assembly
4. Use
5. Service & maintenance

1. MACHINE INFORMATION

Technical specifications

Voltage	220-240V~ 50 Hz
Input power	1900 W
Max. pressure water supply	12 bar
Max. working pressure	140 bar
Max. water temperature	50° C
Max. working flow rate	6.5 l/min
Weight	12.7 kg
IP class	IPX5
LWA(acoustic power)	86 dB(A)
Vibration value	<2.0m/s ²

Product information

Fig. 1

1. High pressure washer
2. On/off switch
3. Water inlet
4. Wheel
5. High pressure outlet
6. Spray gun holder
7. Handle

8. Hose hook
9. Spray gun
10. Adjustable Spray Lance
11. Turbo lance
12. Inlet filter
13. High pressure hose

2. SAFETY INSTRUCTIONS

Explanation of the symbols



Denotes risk of personal injury, loss of life or damage to the tool in case of non-observance of the instructions in this manual.



Indicates electrical shock hazard.



DO NOT direct the water jet towards people or animals. DO NOT direct the water jet towards the unit itself, electrical parts or towards other electrical



The machine is not intended to be connected to the potable water mains.

Safety instructions

When using electric machines always observe the safety regulations applicable in your country to reduce the risk of fire, electric shock and personal injury. Read the following safety instructions and also the enclosed safety instructions.

Electrical safety

- Always check if your mains voltage corresponds with the value on the type plate.
- When replacing old cables or plugs:
- Throw away old cables or plugs immediately as soon as new ones have replaced these. It is dangerous to put the plug of a loose cable into the socket outlet.
- When using extension cables:
- Only use an approved extension cable that is suitable for the machine's power. The cores must have a diameter of at least 1.5 mm². When the extension cable is on a reel, unroll the cable in its entirety.

- All electrical connections e.g. extension cable, must be of an approved waterproof type for outdoor use and marked accordingly. Extension cables must be three-core, one of which is EARTH.

Immediately switch off the machine when:

- Interruption of the mains plug, mains lead or mains lead damage.
- Defect switch
- Smoke or stench of scorched isolation

Specific safety rules

The USE and MAINTENANCE manual constitutes an essential part of the cleaner equipment and should be kept in a safe place for future reference. If you sell the cleaner, the manual should be handed on to the new owner.

- Before starting the cleaner, make sure that it is receiving water correctly. Operating the cleaner without water could damage the seals.
- Do not disconnect the plug by pulling on the electrical cable.
- If you are too far from the object you wish to clean, do not move the cleaner nearer by pulling on the high pressure hose; use the handle provided.
- In versions not equipped with TSS device, do not operate the cleaner for more than 1-2 minutes with the gun closed as this could damage the seals.
- Protect the cleaner from freezing during the winter.
- Do not obstruct the ventilation grilles during operation.
- The cross-section of any extension cables used must be proportional to their length, i.e. the longer the extension cable, the greater the cross-section; cables with a protection level of "IPX5" must be used.
- Position the cleaner AS NEAR POSSIBLE to the water supply.
- The packaging is easily recyclable, and must be disposed of in compliance with the regulations in force in the country of installation.
- Use the cleaner only with accessories and replacement parts authorized by the manufacturer. The use of original accessories and replacement parts will ensure safe, trouble-free operation.
- The cleaner must be used standing on a secure, stable surface.
- Avoid unintentional firing of the trigger. Do not carry the lance/ trigger assembly with your hand over the trigger. Always use the trigger lock mechanism.
- Ensure that the safety lock on the trigger is used, when you have stopped using the pressure washer to prevent accidental operation.
- Read all the instructions before using the machine.
- Machines shall not be used by children. Children should be supervised to ensure that they do not play with the machine. This machine is not intended for use by persons (including children) with reduced physical, sensory or mental capabilities, or lack of experience and knowledge
- The electrical supply connection shall be made by a qualified person and comply with IEC 60364-1. The electric supply to this machine should include either a residual current device that will interrupt the supply if the leakage current to earth exceeds 30 mA for 30 ms or a device that will prove the earth circuit.
- The machine is intended to be used at a temperature above 0 degree. (Only for machine with power cord of H05VV-F).
- The operating method to be followed in the event of accident (e.g. contact with detergents: rinse with an abundance of clean water) or breakdown to prevent unsafe situations.
- This machine has been designed for use with the cleaning agent supplied or recommended by the manufacturer. The use of other cleaning agents or chemicals may adversely affect the safety of the machine.
- Recommend the operator to wear ear protectors.
- Do not use the machine within range of persons unless they wear protective clothing.
- Do not direct the jet against yourself or others in order to clean clothes or foot-wear.
- Risk of explosion-Do not spray flammable liquids.
- High pressure hoses, fittings and couplings are important for the safety of the machine. Use only hoses, fittings and couplings recommended by the manufacturer.
- To ensure machine safety, use only original spare parts from the manufacturer or approved

by the manufacturer.

- Water that has flown through backflow preventers is considered to be non-potable.
- The machine shall be disconnected from its power source by removing the plug from the socket-outlet during cleaning or maintenance and when replacing the machine to another function.
- Observe a distance of at least 30cm when using the jet to clean painted surfaces to avoid damaging paintwork.
- Do not use the machine if a supply cord or important parts of the machine are damaged, e.g. safety devices, high pressure hoses, trigger gun.
- If an extension cord is used, the plug and socket must be of watertight construction.
- Inadequate extension cords can be dangerous. If an extension cord is used, it shall be suitable for outdoor use, and the connection has to be kept dry and off the ground. It is recommended that this is accomplished by means of a cord reel which keeps the socket at least 60mm above the ground.
- In order to avoid a hazard due to inadvertent resetting of the thermal cut-out, this appliance must not be supplied through an external switching device, such as a timer, or connected to a circuit that is regularly switched on and off by the utility.
- To ensure the machine safety, please only use original spare parts (including nozzle) from the manufacturer or approved by the manufacturer. Do not use the machine before you changed them if they are damaged.
- Be care of the danger of the kickback force on the spray assembly when opening the trigger gun and grasp the gun with hands firmly.
- To reduce the risk of injury, close supervision is necessary when a machine is used near children. High-pressure cleaner shall not be used by children or untrained person.
- Know how to stop the machine and bleed pressures quickly. Be thoroughly familiar with the controls.
- Stay alert and watch what you are doing.
- Do not operate the machine when fatigued or under the influence of alcohol or drugs.
- Keep operating area clear of all persons.
- Do not overreach or stand on unstable support. Keep good footing and balance at all times.
- Follow the maintenance instructions specified in the manual.
- This machine must be grounded. If it has malfunction or breakdown, grounding provides a path of least resistance for electric current to reduce the risk of electric shock. The plug must be plugged into an appropriate outlet that is properly installed and grounded in accordance with all local codes and ordinances. The rating voltage (V/Hz) of the machine has to be in compliance with the local power supplying voltage.
- Check with a qualified electrician or service personnel if you are in doubt as to whether the outlet is properly grounded. Do not modify the plug provided with the machine. If it will not fit the outlet, have a proper outlet installed by a qualified electrician. Do not use any type of adapter with this machine.
- Use only 3-wire extension cords that have 3-prong grounding-type plugs and 3-pole cord connectors that accept the plug from the machine. Use only extension cords that are intended for outdoor use and the socket must be of watertight construction. These extension cords are identified by a marking "Acceptable for use with outdoor machines; store indoors while not in use." Use only extension cords having an electrical rating not less than the rating of the machine. Do not use damaged extension cords. Examine extension cord before using and replace if damaged. Inadequate extension cords can be dangerous. Do not abuse extension cord and do not yank on any cord to disconnect. Keep cord away from heat and sharp edges. Always disconnect the extension cord from the receptacle before disconnecting the machine from the extension cord.
- To reduce the risk of electrocution, don't start and run the machine in the rain or storm. Keep all connections dry and off the ground. Do not touch plug with wet hands. It is strictly prohibited to let water leak into the machine.
- When the machine is running, please maintain a constant water supply. Without water circulation will damage the sealing rings of the machine.
- It is necessary to turn on the spray lance within one or two minutes after the machine has been started. Otherwise, the temperature of the

circulating water within the machine will soon rise to a critical point, which will cause damage to the sealing rings inside the machine.

- Don't start and run the machine in a place excessively cold so as to prevent the machine from the freezing current.
- This machine has been designed for only using cleaning water, do not use corrosive chemicals.
- Use cleaning agent supplied or recommend by the manufacturer.
- High-pressure jets can be dangerous if subject to misuse. The jet must not be directed at persons, animals, live electrical equipment or the machine itself. Pressure washers should not be pointed at tire walls, as it may be possible to damage them.
- Do not direct the jet against yourself or others in order to clean clothes or footwear.
- Disconnect from the electrical power supply before carrying out user maintenance.
- If the mains cable is damaged it must be replaced by the manufacturer, or its service agent or similarly qualified person to avoid a hazard.
- Do not use the machine if a supply cord or important parts are damaged, e.g. safety devices, high pressure hoses, trigger gun.
- Be aware of the recoil caused by the water jet when the machine is switched on.
- When the machine is moving and installing, the machine must be in flat. When moving the machine, pulling the handle to move it.
- Connect to the water supply. The machines are not suitable for connection to portable water mains. Connect the machine to the water supply. (It can be a water container).
- Make sure the inlet water pressure keeps between 0.01MPa and 1.2MPa. The inlet pipe should at least 5 M long. Do not use the pipe if the pipe is damaged. If you want connect this machine to portable water mains, you must install a backflow preventer in the water pipe to prevent dirty water flow back to the drinking water system. The backflow preventer shall comply with EN 60335-2-79 ANNEX AA.

3. ASSEMBLY



The motor of this pressure washer will NOT run. It will only operate when the trigger is squeezed.



CAUTION! *The cleaner must only be used with clean water; use of unfiltered water or corrosive chemicals will damage the cleaner.*

- Turn the motor switch to the "0" position.
- Check that the electrical supply voltage and frequency (Volts/Hz) correspond to those specified on the cleaner data plate.
- Ensure that you have a suitable water supply to feed the pressure washer.
- Connect the outlet hose to the washer and connect the spray gun to the outlet hose.
- Connect lance and possibly lance extension.
- Check gauze filter is clear of any blockage.
- Connect the water supply hose.
- Check that the hose has no kinks in it.
- Turn on water and check for leaks.
- Squeeze trigger to allow air to be expelled through the pump and hoses, lock trigger.
- Plug in machine and turn on switch.
- Unlock trigger and use the pressure washer.

Shut down

1. Turn off the motor (turn switch to the off position).
2. Unplug the unit from the power source.
3. Turn off the water supply.
4. Press the trigger of the gun to depressurize the system.
5. Disconnect the garden hose from the pressure washer.
6. Wipe all surfaces of the unit with a damp clean cloth.
7. Engage the gun safety lock.



CAUTION: *ALWAYS turn off the unit's motor BEFORE turning off the unit's water supply. Serious damage could occur to the motor if the unit is run without water.*



CAUTION: NEVER disconnect the high-pressure discharge hose from the machine while the system is still pressurized. To depressurize the unit, turn off the motor, turn off the water supply and squeeze the trigger 2-3 times.

Water supply

- Ensure that you have a suitable water supply to feed the pressure washer. Check that all connections are tight and there are no leaks in the hose.
- The supply tap should be fully open (do not turn on the pressure washer yet).
- Now depress the trigger (unlock trigger lock first) to let water pass through the unit and expel any air.



Warning! This unit is to be used with a cold-water source only!

Electrical Cables

- Ensure that all cables are damage free before connecting to the power supply. Plug in the pressure washer and turn the unit on with the main switch (2).

4. USE



CAUTION! The machine may cause electrical disturbances when starting.

- If the motor stops and fails to restart, wait 2-3 minutes before restarting. THERMAL CUTOFF TRIPPED

Adjusting the nozzle

Fig. 2

- Water may be sprayed out of the nozzle either linearly or in a fan shape. Turn on the pressure first, and then adjust the nozzle.

Adjusting te working pressure

Fig. 3

The working pressure can be adjusted by turning the sleeve on the end of the spray gun (9).

- Turn the sleeve clockwise to increasing the working pressure.
- Turn the sleeve counter-clockwise to reduce the working pressure.

Water inlet filter

- The water inlet filter must be inspected regularly, so as to avoid blockage and restriction of the water supply to the pump.



CAUTION! Never disconnect the high-pressure hose from the machine while the system is still pressurized.

5. SERVICE & MAINTENANCE



Warning! Unplug the electric cable (power source) prior to any maintenance or preparatory storage operations.

- Make sure that the machine is not live when carrying out maintenance work on the motor.
- To ensure good performance, check and clean the suction and detergent filters after every 50 hours of operation.

Malfunction

Should the machine fail to function correctly, a number of possible causes and the appropriate solutions are given below:

1. When switched on, the machine will not start working.

- Plug is not well connected or electric socket is faulty.
 - Check plug, socket and fuse.
- The mains voltage is lower than the minimum requirement for start up.
 - Check that the mains voltage is adequate.
- The pump is stuck.
 - Refer to after storage instructions. Switch off the unit and let the motor cool.
- Thermal safety has tripped.
 - Leave the lance open with water coming through.

2. Fluctuating pressure

- Pump sucking air
 - Check that hoses and connections are airtight
- Valves dirty, worn out or stuck. Pump seals worn.
 - Clean and replace or refer to dealer.

3. Water leaking from the pump

- Seals worn out
 - Check and replace, or refer to dealer

4. The motor stops suddenly

- Thermal safety switch has tripped due to overheating.
 - *Check that the mains voltage corresponds to specifications. An extension cable, which is too thin, and too long can cause a voltage drop and cause the motor to overheat. Leave to cool down. Use heavy duty extension cables.*

5. The pump does not reach the necessary pressure.

- Water inlet, filter is clogged
 - *Clean the water inlet filter*
- Pump sucking air from connections or hoses
 - *Check that all supply connections are tight*
- Suction/ delivery valves are clogged or worn out.
 - *Check that the water feeding hose is not leaking.*
- Unloader valve is stuck
 - *Clear or respire valves*
- Lance nozzle incorrect or worn out
 - *Loosen and re-tighten regulation screw*
Check and/ or replace.



Repairs and servicing should only be carried out by a qualified technician or service firm.

Cleaning

Keep the ventilation slots of the machine clean to prevent overheating of the engine.

Clean the housing regularly with a soft cloth, preferably every time it is used.

Keep the air vents free of dust and dirt. Remove stubborn dirt with a soft rag moistened in soapy water. Do not use any solvents such as petrol, alcohol, ammonia, etc. as such substances can damage the plastic parts.

Lubrication

The appliance does not need any extra lubrication.

Storage and transportation

Keep the high pressure washer in well-ventilated dry premises with temperature not going below +5°C. Operate the cleaner with non-corrosive/ non-toxic antifreeze before storing for the winter.

Faults

If a fault arises through wear in an element, please contact the service address shown on the warranty card. A drawing of the spare parts that may be obtained is included at the end of these operating instructions.

ENVIRONMENT

To prevent damage during transport, the appliance is delivered in a solid packaging which consists largely of reusable material. Therefore please make use of options for recycling the packaging.



Damaged and/or disposed of electrical or electronic devices must be dropped off at recycling stations intended for that purpose.

Only for EC countries

Do not dispose of power tools into domestic waste. According to the European Guideline 2012/19/EC for Waste Electrical and Electronic Equipment and its implementation into national right, power tools that are no longer usable must be collected separately and disposed of in an environmentally friendly way.

WARRANTY

Read the terms of warranty on the separate warranty card which is enclosed.

The product and the user manual are subject to change. Specifications can be changed without further notice.

NETTOYEUR A HAUTE PRESSION

Les numéros dans le texte renvoient aux diagrammes des pages 2 à 3.



Pour votre sécurité et celle des autres, nous vous recommandons de lire ce manuel d'utilisation attentivement avant d'utiliser cette machine. Conservez ce manuel d'utilisation et la documentation fournie avec la machine pour pouvoir vous y référer dans le futur.

Introduction

Le nettoyeur à haute pression GRM1023 sert à rapidement et efficacement nettoyer les véhicules, machines, bateaux, bâtiments, etc... Il élimine la saleté incrustée à l'aide d'eau et de détergents chimiques.

Lorsque vous utilisez des détergents chimiques, n'utilisez que ceux de type biodégradable. Ne nettoyez les moteurs de véhicules que dans des zones où des récupérateurs d'huile appropriés sont installés.

Table des matières

1. Informations sur la machine
2. Consignes de sécurité
3. Assemblage
4. Utilisation
5. Entretien et maintenance

1. INFORMATIONS SUR LA MACHINE

Caractéristiques techniques

Tension	220-240 V~ 50Hz
Puissance absorbée	1900 W
Alimentation en eau, pression max.	12 bar
Pression de service maximale	140 bar
Température de l'eau max.	50° C
Débit d'eau max.	6.5 l/min
Poids	12.7 kg
Classe IP	IPX5
LWA (Puissance acoustique)	86 dB(A)
Valeur Vibrations	<2.0 m/s ²

Informations sur le produit

Fig. 1

1. Nettoyeur à haute pression
2. Interrupteur Marche/Arrêt
3. Arrivée d'eau
4. Roue
5. Sortie d'eau
6. Support de pistolet
7. Poignée
8. Crochet d'enroulage du tuyau
9. Pistolet pulvérisateur
10. Régleur de jet
11. Lance turbo
12. Filtre d'entrée
13. Tuyau haute pression

2. CONSIGNES DE SECURITE

Explication des symboles



Indique un risque de blessure, perte de vie ou endommagement de l'outil possibles, en cas de non-respect des consignes de ce manuel.



Indique un risque de choc électrique.



NE dirigez PAS le jet d'eau vers des personnes ou des animaux. NE dirigez PAS le jet d'eau vers l'appareil lui-même, les pièces électriques ou d'autres équipements électriques



La machine n'est pas conçue pour être raccordée au réseau d'eau potable.

Consignes de sécurité

Lorsque vous utilisez des machines électriques, respectez toujours la réglementation applicable en matière de sécurité dans votre pays, afin de réduire les risques d'incendie, de choc électrique ou de blessure. Lisez les consignes de sécurité suivantes ainsi que celles jointes.

Sécurité électrique

- Vérifiez toujours que la tension de votre réseau correspond à la tension indiquée sur la plaque

signalétique.

- Si vous remplacez les câbles ou les prises usagés :
- Jetez les câbles et les prises usagées immédiatement après les avoir remplacés par des neufs. Il est dangereux de brancher la prise d'un câble endommagée dans une prise de courant.
- Si vous utilisez des rallonges de câble :
- N'utilisez qu'une rallonge recommandée, correspondant à la puissance de la machine. L'âme du câble doit avoir un diamètre d'au moins 1,5 mm².
Si la rallonge est sur un enrouleur, déroulez-le entièrement.
- Tous les raccords électriques, de la rallonge par exemple, doivent être de type étanches à l'eau pour une utilisation en extérieure et être marqués en conséquence.
Les rallonges doivent disposer de trois conducteurs dont un de TERRE.

Eteignez immédiatement la machine en cas de :

- Défaillance de la prise secteur ou celle du câble d'alimentation, endommagement du câble d'alimentation.
- Défaillance de l'interrupteur
- Fumée ou odeur de brûlé provenant d'un isolant

Consignes de sécurité particulières

Le manuel d'UTILISATION et de MAINTENANCE fait partie intégrante du nettoyeur et il doit être conservé dans un lieu sûr pour pouvoir s'y référer dans le futur.

Si vous vendez le nettoyeur, le manuel doit être remis au nouveau propriétaire.

- Avant de démarrer le nettoyeur, assurez-vous qu'il est correctement alimenté en eau. L'utilisation du nettoyeur sans eau peut endommager les joints.
- Ne débranchez pas la prise en tirant sur le câble électrique.
- Si vous êtes trop loin de l'objet à nettoyer, ne déplacez pas le nettoyeur en tirant sur le tuyau à haute pression ; utilisez la poignée existante.
- Pour les versions qui ne sont pas équipées du dispositif TSS, ne faites pas fonctionner le nettoyeur plus de 1 à 2 minutes pistolet fermé, cela pourrait endommager les joints.
- Protégez le nettoyeur du gel pendant l'hiver.

- N'obstruez pas les grilles d'aération pendant le fonctionnement.
- La section des rallonges utilisées doit être proportionnelle à leur longueur. Cela signifie que plus le câble est long, plus la section doit être importante. Des câbles d'un niveau de protection „IPX5” doivent être utilisés.
- Placez le nettoyeur AUSSI PRES QUE POSSIBLE de l'alimentation en eau.
- L'emballage est recyclable et doit être jeté conformément à la réglementation en vigueur dans le pays d'utilisation.
- N'utilisez le nettoyeur qu'avec des accessoires et des pièces détachées approuvés par le fabricant. L'utilisation d'accessoires et de pièces détachées d'origine garantissent un fonctionnement sûr et durable.
- Le nettoyeur doit être utilisé, posé sur une surface sûre et stable.
- Evitez le déclenchement involontaire de la gâchette. Ne portez pas l'ensemble lance/gâchette, le doigt posé sur la gâchette. Utilisez toujours le mécanisme de verrouillage de la gâchette.
- Assurez-vous d'utiliser le verrou de sécurité de la gâchette lorsque vous avez fini de vous servir du nettoyeur, afin d'éviter toute mise en marche accidentelle.
- Lisez toutes les consignes avant d'utiliser la machine.
- Les machines ne doivent pas être utilisées par les enfants.
Les enfants doivent être surveillés afin de s'assurer qu'ils ne jouent pas avec la machine. Cette machine n'est pas conçue pour être utilisée par des personnes (dont les enfants) aux capacités physiques, sensorielles ou mentales déficientes ou manquant d'expérience et de connaissances.
- Le raccordement à l'alimentation électrique doit être réalisée par une personne qualifiée et être conforme à la norme CEI 60364-1. L'alimentation électrique de cette machine doit inclure soit un disjoncteur différentiel qui coupe le courant en cas de courant de fuite par la prise de terre supérieur à 30 mA pendant 30 ms soit d'un dispositif pouvant surveiller le circuit de mise à la terre.
- La machine est prévue pour être utilisée à une température supérieure à 0°. (Machine avec cordon électrique H05VV-F uniquement).

- La méthode de fonctionnement à suivre en cas d'accident (ex : contact avec du détergent: rincez abondamment à l'eau claire) ou de panne afin d'éviter les situations dangereuses.
- Cette machine a été conçue pour être utilisée avec le détergent fourni ou recommandé par le fabricant. L'utilisation d'autres détergents ou produits chimiques peut nuire à la sécurité de la machine.
- Conseillez à l'utilisateur de porter des protections auditives.
- N'utilisez pas la machine à portée de personnes, à moins qu'elles ne portent des vêtements de protection.
- Ne dirigez pas directement le jet vers vous-même ou d'autres personnes pour nettoyer les vêtements ou les chaussures.
- Risque d'explosion, ne vaporisez pas de liquides inflammables.
- Les tuyaux à haute pression, les fixations et les raccords sont essentiels à la sécurité de la machine. N'utilisez que des tuyaux, fixations et raccords recommandés par le fabricant.
- Pour garantir la sécurité de la machine, n'utilisez que des pièces détachées d'origine provenant du fabricant ou recommandées par lui.
- L'eau passée à travers les disconnecteurs est considérée comme étant non-potable.
- La machine doit être débranchée de sa source d'alimentation électrique en retirant la prise de la prise de courant pendant le nettoyage ou la maintenance ou lors du remplacement de la machine pour une autre fonction.
- Conservez une distance d'au moins 30 cm lorsque vous utilisez le jet pour nettoyer des surfaces peintes, afin d'éviter d'endommager la peinture.
- N'utilisez pas la machine si le cordon d'alimentation ou des pièces importantes de la machine sont endommagés, ex : dispositifs de sécurité, pistolet à gâchette.
- Si vous utilisez une rallonge, sa prise et la prise murale doivent être étanches à l'eau.
- Des rallonges inadéquates peuvent être dangereuses.
Si vous utilisez une rallonge, elle doit être adaptée à une utilisation à l'extérieur et les branchements doivent rester au sec et au dessus du sol. Pour ce faire, il est recommandé d'utiliser un enrouleur qui maintienne la prise à au moins 60 mm au dessus du sol.
- Afin d'éviter un risque dû à la réinitialisation intempestive du coupe-circuit thermique, cet appareil ne doit pas être alimenté par un interrupteur externe, comme un minuteur par exemple, ou être raccordé à un circuit régulièrement activé et désactivé par le circuit général.
- Pour garantir la sécurité de la machine, n'utilisez que des pièces détachées d'origine (buses comprises) provenant du fabricant ou recommandées par lui. N'utilisez pas la machine avant de les avoir remplacées si elles sont endommagées.
- Prenez garde au danger dû à la puissance du recul sur le dispositif de pulvérisation en déclanchant le pistolet à gâchette et tenez fermement le pistolet.
- Afin de réduire le risque de blessure, une surveillance accrue est nécessaire si la machine est utilisée près d'enfants. Le nettoyeur à haute pression ne doit pas être utilisé par des enfants ou des personnes non formées.
- Vous devez savoir comment rapidement arrêter et réduire la pression de la machine. Familiarisez-vous avec les commandes.
- Restez vigilant et concentré sur ce que vous faites.
- N'utilisez pas la machine si vous êtes fatigué ou sous l'influence d'alcool ou de médicaments.
- Conservez la zone d'intervention exempte de toute personne.
- Ne vous penchez pas et ne vous tenez pas sur des surfaces instables. Gardez tout le temps une position stable et équilibrée.
- Respectez les consignes de maintenance spécifiées dans le manuel.
- Cette machine doit être reliée à la terre. En cas de dysfonctionnement ou de panne, la mise à la terre fournit au courant électrique un passage de moindre résistance afin de réduire le risque de choc électrique. La prise doit être branchée dans une prise secteur appropriée, correctement installée et mise à la terre conformément à tous les codes ou règlements locaux. La tension nominale (V/Hz) de la machine doit être conforme à la tension électrique d'alimentation locale.
- Vérifiez auprès d'un électricien ou d'un réparateur qualifiés si vous n'êtes pas sûr que la prise est correctement reliée à la terre. Ne modifiez pas la prise fournie avec la

machine. Si elle ne rentre pas dans la prise de courant, faites remplacer cette dernière par un électricien qualifié. N'utilisez aucun autre type d'adaptateur avec la machine.

- N'utilisez que des rallonges à 3 conducteurs, avec prise mâle à 3 fiches avec terre et prise femelle à 3 pôles et qui acceptent la prise de la machine. N'utilisez que des rallonges prévues pour être utilisées à l'extérieur dont la prise est étanche à l'eau. Ce type de rallonges est identifié par un marquage „Compatible pour un usage avec des machines d'extérieur. Gardez à l'intérieur quand elle n'est pas utilisée.” N'utilisez que des rallonges dont la valeur électrique nominale n'est pas inférieure à celle de la machine. N'utilisez pas de rallonges endommagées. Contrôlez la rallonge avant de l'utiliser et remplacez-la si elle est endommagée. Des rallonges inadéquates peuvent être dangereuses. N'utilisez pas de rallonges de façon abusive et ne tirez sur aucun cordon pour les débrancher. Maintenez le cordon éloigné de sources de chaleur et d'arêtes tranchantes.

Débranchez toujours la rallonge de la prise de courant avant de débrancher la machine de la rallonge.

- Afin de réduire le risque d'électrocution, ne démarrez et n'utilisez pas la machine sous la pluie ou en cas d'orage. Conservez tous les branchements au sec et au dessus du sol. Ne manipulez pas la prise les mains mouillées. Il est strictement interdit de laisser couler de l'eau dans la machine.
- Lorsque la machine est en marche, maintenez constante l'alimentation en eau. Sans circulation d'eau, les joints d'étanchéité de la machine peuvent être endommagés.
- Il est nécessaire d'activer la lance deux ou trois minutes après avoir démarré la machine. Dans le cas contraire, la température de l'eau circulant à l'intérieur de la machine atteint rapidement un niveau critique, ce qui risque d'endommager les joints d'étanchéité à l'intérieur de la machine.
- Ne démarrez et n'utilisez pas la machine dans un lieu trop froid afin d'éviter qu'elle ne gèle.
- Cette machine a été conçue pour n'utiliser que de l'eau de lavage, n'utilisez pas de produits chimiques corrosifs.

- Utilisez le détergent fourni ou recommandé par le fabricant.
- Les jets à haute pression peuvent être dangereux s'ils sont mal utilisés. Le jet ne doit pas être directement dirigé vers des personnes, des animaux, des équipements électriques sous tension ou la machine elle-même. Les nettoyeurs sous pression ne doivent pas être pointés sur les murs carrelés car il est possible de les endommager.
- Ne dirigez pas directement le jet vers vous-même ou d'autres personnes pour nettoyer les vêtements ou les chaussures.
- Débranchez la machine de l'alimentation électrique avant d'en effectuer la maintenance relevant de l'utilisateur.
- Si le câble d'alimentation est endommagé et afin d'éviter tout risque, il doit être remplacé par le fabricant ou l'un de ses représentants ou par une personne de même qualification.
- N'utilisez pas la machine si le cordon d'alimentation ou des pièces importantes sont endommagés, ex : dispositifs de sécurié, tuyaux à haute pression, pistolet à gâchette.
- Prenez garde au recul provoqué par le jet d'eau au moment de la mise en marche de la machine.
- La machine doit être à plat pour être déplacée et installée. Utilisez la poignée pour déplacer la machine.
- Raccordez l'alimentation en eau. Les machines ne sont pas adaptées pour un raccordement au réseau d'eau potable. Raccordez la machine à l'alimentation en eau. (Il peut s'agir d'un réservoir d'eau).
- Assurez-vous que la pression d'arrivée d'eau reste entre 0,01 et 1,2 MPa. Le tuyau d'alimentation doit être d'au moins 5 m de long. N'utilisez pas un tuyau endommagé. Si vous souhaitez raccorder cette machine au réseau d'eau potable, vous devez installer un disconnecteur dans le tuyau d'eau afin d'éviter que de l'eau saie soit refoulée dans le système d'eau potable. Le disconnecteur doit être conforme à la norme EN 60335-2-79 ANNEXE AA.

3. ASSEMBLAGE



Le moteur de ce nettoyeur à haute pression NE fonctionnera PAS. Il ne se met en marche que lorsque la gâchette est enfoncée.



ATTENTION ! Le nettoyeur ne doit être utilisé qu'avec de l'eau propre. L'utilisation d'eau non filtrée ou de produits chimiques corrosifs peut endommager le nettoyeur.

- Passez l'interrupteur du moteur sur la position „0”.
- Vérifiez que la tension et la fréquence de l'alimentation électrique (Volts/Hz) correspondent à celles spécifiées sur la plaque signalétique du nettoyeur.
- Si la tension est bonne, vous pouvez brancher le nettoyeur.
- Raccordez le tuyau de sortie au nettoyeur et raccordez le pistolet de vaporisation au tuyau de sortie.
- Raccordez la buse et la rallonge de buse.
- Vérifiez que le filtre en toile n'est pas obturé.
- Raccordez le tuyau d'alimentation en eau.
- Vérifiez que le tuyau n'est pas entortillé.
- Allumez l'eau et contrôlez l'absence de fuite.
- Enfoncez la gâchette pour permettre à l'air d'être expulsé par la pompe et les tuyaux, verrouillez la gâchette.
- Branchez la machine et appuyez sur l'interrupteur.
- Déverrouillez la gâchette et utilisez le nettoyeur à haute pression.

Extinction

1. Coupez le moteur (Poussez l'interrupteur jusqu'à la position d'arrêt).
2. Débranchez l'appareil de la source d'alimentation électrique.
3. Coupez l'arrivée d'eau.
4. Appuyez sur la gâchette du pistolet pour dépressuriser le système.
5. Débranchez le tuyau d'arrosage du nettoyeur à haute pression.
6. Essuyez les surfaces de l'appareil à l'aide d'un chiffon humide propre.
7. Enclenchez le verrou de sécurité du pistolet.



ATTENTION : Eteignez **TOUJOURS** le moteur de l'appareil **AVANT** de couper l'arrivée d'eau. Le moteur peut être gravement endommagé si l'appareil fonctionne sans eau.



ATTENTION : Ne débranchez **JAMAIS** le tuyau de décharge de pression de la machine si le système est toujours pressurisé. Pour dépressuriser l'appareil, éteignez le moteur, coupez l'arrivée d'eau et appuyez 2 à 3 fois sur la gâchette.

Alimentation en eau

- Assurez-vous de disposer d'une alimentation en eau appropriée pouvant alimenter le nettoyeur à haute pression. Vérifiez que tous les raccords sont serrés et qu'il n'y a aucune fuite sur le tuyau.
- Le robinet d'arrivée d'eau doit être complètement ouvert (n'allumez pas encore le nettoyeur à haute pression).
- Enfoncez alors la gâchette (déverrouillez-la d'abord) pour laisser couler l'eau à travers l'appareil et expulser l'air éventuel.



Avertissement ! Cet appareil ne doit être utilisé qu'avec de l'eau froide !

Câbles électriques

- Assurez-vous que tous les câbles sont en parfait état avant de raccorder l'alimentation électrique. Branchez le nettoyeur à haute pression et allumez l'appareil à l'aide de l'interrupteur principal (2).

4. UTILISATION



ATTENTION ! La machine peut provoquer des perturbations électriques au démarrage.

- Si le moteur s'arrête et ne redémarre pas, patientez 2 à 3 minutes avant de le redémarrer. **COUPE-CIRCUIT THERMIQUE DECLENCHE**

Réglage de la buse

Fig. 2

- L'eau peut être projetée hors de la buse de façon linéaire ou en forme d'éventail. Lancez la pression puis réglez la buse.

Réglage de la pression de service

Fig. 3

La pression de travail peut être réglée en tournant le manchon à l'extrémité du pistolet de pulvérisation (9).

- Tournez la douille dans le sens des aiguilles d'une montre pour augmenter la pression de travail.
- Tournez le manchon dans le sens inverse des aiguilles d'une montre pour réduire la pression de travail.

Filter d'arrivée d'eau

- Le filtre d'arrivée d'eau doit être régulièrement inspecté de façon à éviter le blocage ou la réduction de l'arrivée d'eau dans la pompe.



ATTENTION ! Ne débranchez JAMAIS le tuyau à haute pression de la machine si le système est toujours pressurisé.

5. ENTRETIEN ET MAINTENANCE



Avertissement! Débranchez le câble électrique (source d'alimentation) avant d'effectuer toute opération de maintenance ou de préparation à l'entreposage.

- Assurez-vous que la machine n'est pas sous tension lorsque vous réalisez des opérations de maintenance sur le moteur.
- Pour garantir de bonnes performances, vérifiez et nettoyez les filtres d'aspiration et ceux des détergents toutes les 50 heures de fonctionnement.

Dysfonctionnement

Des causes possibles et des solutions adaptées vous sont données ci-dessous au cas où la machine ne fonctionne pas correctement:

1. Même allumée, la machine ne démarre pas.

- La prise n'est pas bien enfoncée ou la prise électrique est défectueuse.
 - Vérifiez la prise, la prise murale et le fusible.
- La tension du réseau est inférieure au minimum requis pour le démarrage.
 - Vérifiez que la tension du réseau est suffisante.
- La pompe est coincée.
 - Référez-vous aux instructions concernant la sortie d'hivernage. Eteignez l'appareil et laissez le moteur refroidir.

- Le coupe-circuit thermique s'est déclenché.
 - Laissez la lance ouverte et l'eau en sortir.

2. Pression fluctuante

- La pompe aspire de l'air
 - Vérifiez que les tuyaux et les raccords sont étanches à l'air
- Les vannes sont sales, usées ou coincées. Les joints de la pompe sont usés.
 - Nettoyez et réinstallez ou faites appel au revendeur.

3. De l'eau fuit par la pompe

- Les joints sont usés
 - Nettoyez et réinstallez ou faites appel au revendeur.

4. Le moteur s'arrête de façon soudaine

- Le coupe-circuit thermique s'est déclenché à cause d'une surchauffe.
 - Vérifiez que la tension du réseau correspond aux spécifications. Une rallonge trop fine ou trop longue peut provoquer une chute de tension et une surchauffe du moteur. Laissez refroidir. Utilisez des rallonges très résistantes.

5. La pompe n'atteint pas la pression nécessaire.

- Arrivée d'eau, filtre obstrué
 - Nettoyez le filtre d'arrivée d'eau
- La pompe aspire de l'air par les raccords ou les tuyaux
 - Vérifiez que les raccords d'alimentation sont étanches
- Les vannes d'aspiration/d'alimentation sont bouchées ou usées.
 - Vérifiez que le tuyau d'alimentation en eau ne fuit pas.
- La vanne de décharge est coincée
 - Dégagez les vannes
- Buse de lance incorrecte ou usée
 - Dévissez et revissez la vis de régulation, contrôlez et/ou remplacez.



Les opérations de réparation et de remise en service ne doivent être réalisées que par un technicien qualifié ou une entreprise de réparation.

Nettoyage

Gardez les fentes d'aération de la machine propres afin d'éviter la surchauffe du moteur. Nettoyez régulièrement l'enveloppe avec un chiffon doux, à chaque utilisation de préférence. Gardez les aérations exemptes de poussières et de saletés. Éliminez les saletés incrustées à l'aide d'un chiffon humidifié à l'eau savonneuse. N'utilisez aucun solvant comme de l'essence, de l'alcool, de l'ammoniac, etc. car ces substances peuvent endommager les pièces en plastique.

Lubrification

L'appareil n'a pas besoin d'être lubrifié.

Entreposage et transport

Conservez le nettoyeur à haute pression dans un local sec, bien aéré dont la température ne descend pas en dessous de +5°C. Faites fonctionner le nettoyeur avec un antigel non corrosif et non toxique avant de l'entreposer pour l'hiver.

Pannes

En cas de panne due à la dégradation d'un élément, veuillez contacter l'adresse d'assistance indiquée sur la carte de garantie. Un plan avec les pièces détachées pouvant être obtenues est inclus à la fin de ce manuel d'utilisation.

ENVIRONNEMENT

Afin d'éviter tout dommage pendant le transport, l'appareil est livré dans un emballage solide qui est largement composé de matières recyclables. Utilisez par conséquent les bonnes options de recyclage pour l'emballage.



Les appareils électriques et électroniques endommagés ou à éliminer doivent être déposés dans les centres de recyclage prévus à cet effet.

Pour les pays de la Communauté Européenne uniquement

Ne jetez pas les outils électriques avec les déchets ménagers. Conformément à la Directive Européenne 2012/19/CE relative à l'élimination des déchets électriques et électroniques et sa transposition dans la législation nationale, les outils électriques usagés doivent être collectés séparément et être jetés de façon écologique.

GARANTIE

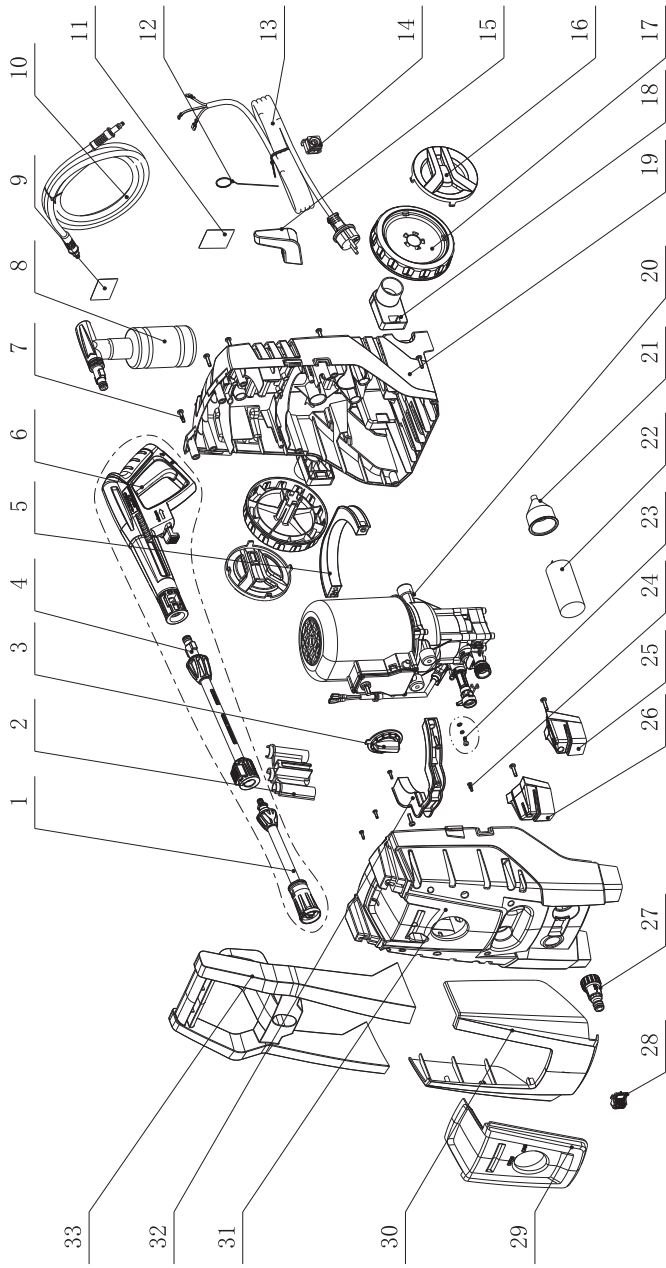
Lisez les conditions de garantie qui sont fournies sur la carte de garantie séparée.

Le produit et le manuel d'utilisation sont sujets à modifications. Les spécifications peuvent changer sans autre préavis.

Spare parts list**GRM1023 - High pressure cleaner**

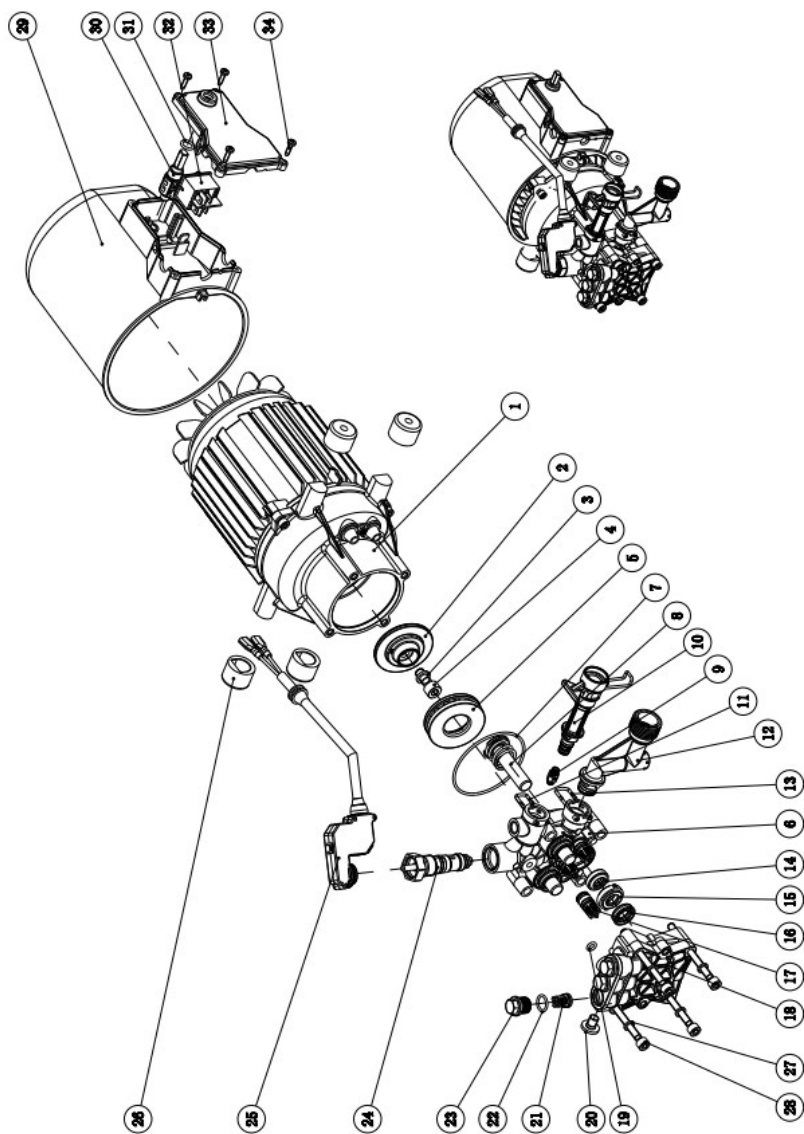
Art. No.	Description	Position no.
410093	Gun, extention adjustable	1 4 6
410094	Accessories holder	2
410095	Switch knob	3
410096	Lower support	5
410097	Detergent bottle	8
410098	High pressure hose	10
410099	Power cable sleeve	14
410100	Pwoer cable hook	15
410101	Wheel Complete	16 17
410102	Wheel support	18
410103	Back housing	19
410104	Sawtooth gasket ass.	23
410105	Right foot	25
410106	Left foot	26
410107	Filtered inlet connector	27
410108	Button	28
410109	Button plate	29
410110	Front housing plate	30
410111	Front housing	31
410112	Upper support	32
410113	Handle	33
410252	Lance adapter	
410253	Hose connector	
410254	Adjustable tap connector	
410255	Spray nozzle 45 degree (N05)	
410256	Rotary brush (B02)	
410257	Short gun (G20)	
410258	Gun (G30)	
410259	Turbo nozzle (G50)	
410260	Turbo nozzle (G30)	
410261	PVC high pressure hose 5m	
410262	PU high pressure hose 5m	
410263	Armored high pressure hose 5m	

Exploded view A



410968	Swash plate	B2
410969	Gasket 8	B3
410970	Bolt M8x20mm	B4
410971	Bearing 51107B	B5
410972	Pump body	B6
410973	O ring 66x2mm	B7
410974	Plunger (3 pcs)	B8
410975	Back pressure valve	B9
410976	Water outlet tube	B10
410977	U pin 11.5x25x2.3mm	B11
410978	Water inlet tube	B12
410979	U pin 14x25x2.3mm	B13
410980	Plunger oil seal (3 pcs)	B14
410981	Water seal bracket (3 pcs)	B15
410982	Water seal (3 pcs)	B16
410983	Inlet checking valve (3 pcs)	B17
410984	Pump cover	B18
410985	O ring 5.5x2mm	B19
410986	Bolt M8x10mm	B20
410987	Outlet checking valve (3 pcs)	B21
410988	O ring 10.6x1.8mm (3 pcs)	B22
410989	Checking valve cap (3 pcs)	B23
410990	Relief valve	B24
410991	On-off switch	B25
410992	Damping ring (4 pcs)	B26
410993	Gasket 6 (4 pcs)	B27
410994	Bolt M6x75mm (4 pcs)	B28
410995	Fan cover	B29
410996	Switch driving lever	B30
410997	O ring 8x2mm	B31
410998	Main switch	B32
410999	Switch cover	B33
411000	Bolt St3.5x13mm (8 pcs)	B34

Exploded view B





DECLARATION OF CONFORMITY GRM1023 - HIGH PRESSURE CLEANER

- (EN) We declare under our sole responsibility that this product is in conformity with directive 2011/65/EU of the European parliament and of the council of 8 June on the restriction of the use of certain hazardous substances in electrical and electronic equipment is in conformity and accordance with the following standards and regulations:
- (DE) Der Hersteller erklärt eigenverantwortlich, dass dieses Produkt der Direktive 2011/65/EU des Europäischen Parlaments und des Rats vom 8. Juni 2011 über die Einschränkung der Anwendung von bestimmten gefährlichen Stoffen in elektrischen und elektronischen Geräten entspricht. den folgenden Standards und Vorschriften entspricht:
- (NL) Wij verklaren onder onze volledige verantwoordelijkheid dat dit product voldoet aan de conform Richtlijn 2011/65/EU van het Europees Parlement en de Raad van 8 juni 2011 betreffende beperking van het gebruik van bepaalde gevaarlijke stoffen in elektrische en elektronische apparatuur en in overeenstemming is met de volgende standaarden en reguleringen:
- (FR) Nous déclarons sous notre seule responsabilité que ce produit est conforme aux standards et directives suivants: est conforme à la Directive 2011/65/EU du Parlement Européen et du Conseil du 8 juin 2011 concernant la limitation d'usage de certaines substances dangereuses dans l'équipement électrique et électronique.
- (ES) Declaramos bajo nuestra exclusiva responsabilidad que este producto cumple con las siguientes normas y estándares de funcionamiento: se encuentra conforme con la Directiva 2011/65/UE del Parlamento Europeo y del Consejo de 8 de junio de 2011 sobre la restricción del uso de determinadas sustancias peligrosas en los equipos eléctricos y electrónicos.
- (PT) Declaramos por nossa total responsabilidade-de que este produto está em conformidade e cumpre as normas e regulamentações que se seguem: está em conformidade com a Directiva 2011/65/UE do Parlamento Europeu e com o Conselho de 8 de Junho de 2011 no que respeita à restrição de utilização de determinadas substâncias perigosas existentes em equipamento eléctrico e electrónico.
- (IT) Dichiariamo, sotto la nostra responsabilità, che questo prodotto è conforme alle normative e ai regolamenti seguenti: è conforme alla Direttiva 2011/65/UE del Parlamento Europeo e del Consiglio dell'8 giugno 2011 sulla limitazione dell'uso di determinate sostanze pericolose nelle apparecchiature elettriche ed elettroniche.
- (SV) Vi garanterar på eget ansvar att denna produkt uppfyller och följer följande standarder och bestämmelser: uppfyller direktiv 2011/65/UE från Europeiska parlamentet och EG-rådet från den 8 juni 2011 om begränsningen av användning av farliga substanser i elektrisk och elektronisk utrustning.
- (FI) Vakuutamme yksinomaan omalla vastuullamme, että tämä tuote täyttää seuraavat standardit ja säädokset: täyttää Euroopan parlamentin ja neuvoston 8. kesäkuuta 2011 päivätyn direktiivin 2011/65/EU vaatimukset koskien vaarallisten aineiden käytön rajoitusta sähkö- ja elektroniikka laitteissa.
- (NO) Vi erklærer under vårt eget ansvar at dette produktet er i samsvar med følgende standarder og regler: er i samsvar med EU-direktivet 2011/65/UE fra Europa-parlamentet og Europa-rådet, pr. 8 juni 2011, om begrensning i bruken av visse farlige stoffer i elektrisk og elektronisk utstyr.
- (DA) Vi erklærer under eget ansvar, at dette produkt er i overensstemmelse med følgende standarder og bestemmelser: er i overensstemmelse med direktiv 2011/65/UE fra Europa-Parlamentet og Rådet af 8. juni 2011 om begrænsning af anvendelsen af visse farlige stoffer i elektrisk og elektronisk udstyr.
- (HU) Felelősségünk teljes tudatában kijelentjük, hogy ez a termék teljes mértékben megfelel az alábbi szabványoknak és előírásoknak: je v souladu se směrnicí 2011/65/EU Evropského parlamentu a Rady EU ze dne 8. června 2011, která se týká omezení použití určitých nebezpečných látek v elektrických a elektronických zařízeních.
- (CZ) Na naši vlastní zodpovědnost prohlašujeme, že je tento výrobek v souladu s následujícími standardy a normami: Je v súlade s normou 2011/65/EU Európskeho parlamentu a Rady z 8. júna 2011 týkajúcej sa obmedzenia používania určitých nebezpečných látok v elektrickom a elektronickom vybavení.
- (SK) Vyhlasujeme na našu výhradnú zodpovednosť, že tento výrobok je v zhode a súlade s nasledujúcimi normami a predpismi: Je v súlade s normou 2011/65/EU Európskeho parlamentu a Rady z 8. júna 2011 týkajúcej sa obmedzenia používania určitých nebezpečných látok v elektrickom a elektronickom vybavení.
- (SL) S polno odgovornostjo izjavljamo, da je ta izdelek v skladu in da odgovarja naslednjim standardom ter predpisom: je v skladu z direktivo 2011/65/EU Evropskega parlamenta in Sveta z dne 8. junij 2011 o omejevanju uporabe določenih nevarnih snovi v električni in elektronski opremi.
- (PL) Deklarujemy na własną odpowiedzialność, że ten produkt spełnia wymogi zawarte w następujących normach i przepisach: jest zgodny z Dyrektywą 2011/65/UE Parlamentu Europejskiego i Rady z dnia 8 czerwca 2011 r. w sprawie ograniczenia stosowania niektórych niebezpiecznych substancji w sprzęcie elektrycznym i elektronicznym.
- (LT) Prisiimdami visą atsakomybę deklaruojame, kad šis gaminys atitinka žemiau paminėtų standartus arba nuostatus: atitinka 2011 m. birželio 8 d. Europos Parlamento ir Tarybos direktyvą 2011/65/EB dėl tam tikrų pavojingų medžiagų naudojimo elektros ir elektroninėje įrangoje apribojimo.
- (LV) Ir atbilstoša Eiropas Parlamenta un Padomes 2011. gada 8. jūnija Direktīvai 2011/65/ES par dažu bīstamu vielu izmantošanu ierobežošanu elektriskās iekārtās.
- (ET) Argalvojam ar visu atbildību, ka šis produktis ir saskaņā un atbilst sekojošiem standartiem un nolikumiem: ir atbilstoša Eiropas Parlamenta un Padomes 2011. gada 8. jūnija Direktīvai 2011/65/ES par dažu bīstamu vielu izmantošanas ierobežošanu elektriskās iekārtās.
- (RO) Declaram prin aceasta cu răspundere deplină că produsul acesta este în conformitate cu următoarele standarde sau directive: este în conformitate cu Directiva 2011/65/UE a Parlamentului European și a Consiliului din 8 iunie 2011 cu privire la interzicerea utilizării anumitor substanțe periculoase la echipamentele electrice și electronice.
- (HR) Izjavljujemo pod vlastitom odgovornošću da je strojem ukladan sa sljedećim standardima ili standardiziranim dokumentima i u skladu sa odredbama: usklađeno s Direktivom 2011/65/EU Evropskog parlamenta i vijeća izdanom 8. lipnja 2011. o ograničenju korištenja određenih opasnih tvari u električnoj i elektroničkoj opremi.
- (SRL) Pod punom odgovornošću izjavljujemo da je usaglašen sa sledećim standardima ili normama: usaglašen sa direktivom 2011/65/EU Evropskog parlamenta i Saveta od 8.juna.2011. godine za restrikciju upotrebe određenih opasnih materija u električnoj i elektroničkoj opremi.
- (RU) Под свою ответственность заявляем, что данное изделие соответствует следующим стандартам и нормам: соответствует требованиям Директивы 2011/65/ЕU Европейского парламента и совета от 8 июня 2011 г. по ограничению использования определенных опасных веществ в электрическом и электронном оборудовании
- (UK) Na svoju vlasnu відповідальність заявляємо, що дане обладнання відповідає наступним стандартам і нормативам: задовольняє вимоги Директиви 2011/65/ЕС Європейського Парламенту та Ради від 8 червня 2011 року на обмеження використання деяких небезпечних речовин в електричному та електронному обладнанні.
- (EL) Δηλώνουμε υπεύθυνα ότι το προϊόν αυτό συμμορφώνεται με την Οδηγία 2011/65/ΕΕ του Ευρωπαϊκού Κοινοβουλίου και του Συμβουλίου της 8ης Ιουνίου 2011 για τον περιορισμό της χρήσης ορισμένων επικίνδυνων ουσιών σε ηλεκτρικό και ηλεκτρονικό εξοπλισμό.
- (AR) نعلن على مسؤوليتنا بأكملها ان هذا المنتج يتوافق مع المتطلبات الواردة في توجيه 2011/65/UE الصادر عن البرلمان الأوروبي والمجلس بتاريخ 8 يونيو 2011.
- (TR) Tek sorumluluğu biz olarak bu ürünüň aşşğıdaki standart ve yönetmelere uygun olduğunu beyan ederiz.
- (MK) Izjavуvame со наша целосна одговорност дека производот е во согласност со Смерницата 2011/65/EU на Европскиот парламент и е во согласност според Советот од 9 јуни за ограничување на користење на одредени опасни супстанции во електричната и електронската опрема и дека е според следните стандарди и регулативи:

EN 55014-1, EN 55014-2, EN 61000-3-2, EN 61000-3-11,
EN 60335-1, EN 60335-2-79, EN 62233

2006/42/EC, 2014/30/EU, 2011/65/EU, 2012/19/EU

Zwolle, 01-07-2018

H.G.F Rosberg
CEO FERM B.V.

FERM B.V. - Lingenstraat 6 - 8028 PM - Zwolle - The Netherlands

